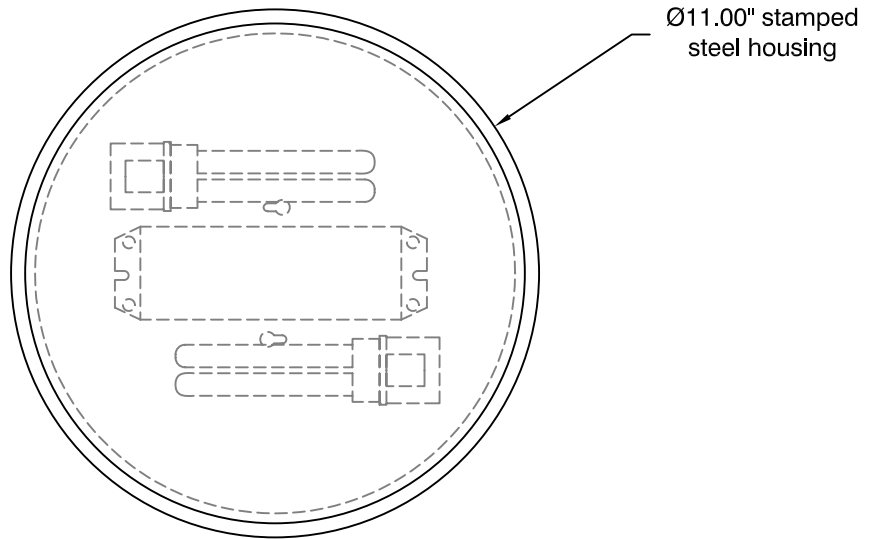


SIDE VIEW



BOTTOM VIEW



JOURNEY flush mount
oxygen **2-6134-24**

OXYGEN LIGHTING ©

METAL FINISH

- o 24 - satin nickel

DIFFUSER

- o white opal glass (twist-fit)

HOUSING

- o stamped steel

LAMPING

- o 2x13W quad 4-pin cfl (G24q-1)

VOLTAGE

- o 120V

BALLAST

- o electronic HPF, rapid start

DIMENSIONS

- o Ø11" x 3.50"(h)

INSTALLATION

- o 4" octagonal "J"-Box
- o UL Damp Listed

Sample Catalog Number

<u>Series #</u>	<u>Finish</u>	<u>Catalog number</u>
2-6134	- 24	= 2-6134-24

oxygen

OXYGEN LIGHTING SUITE 900
580 BROADWAY, NEW YORK, NY 10012
TEL. (877) 607-0202 FAX (877) 607-0203

PROJECT: _____

DATE: _____