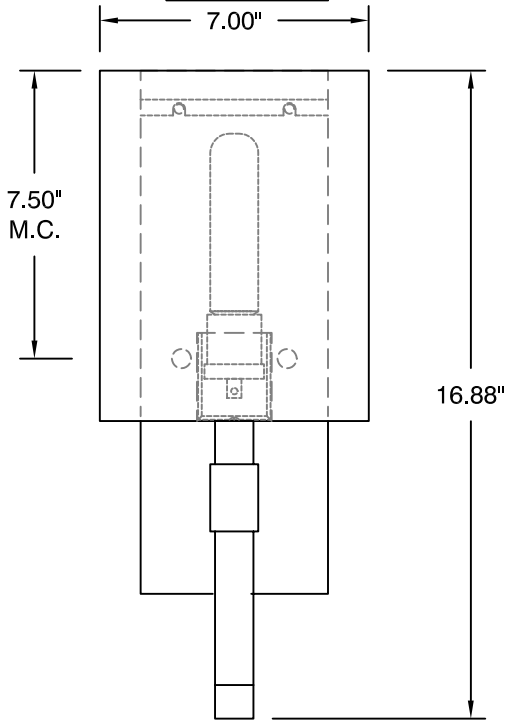
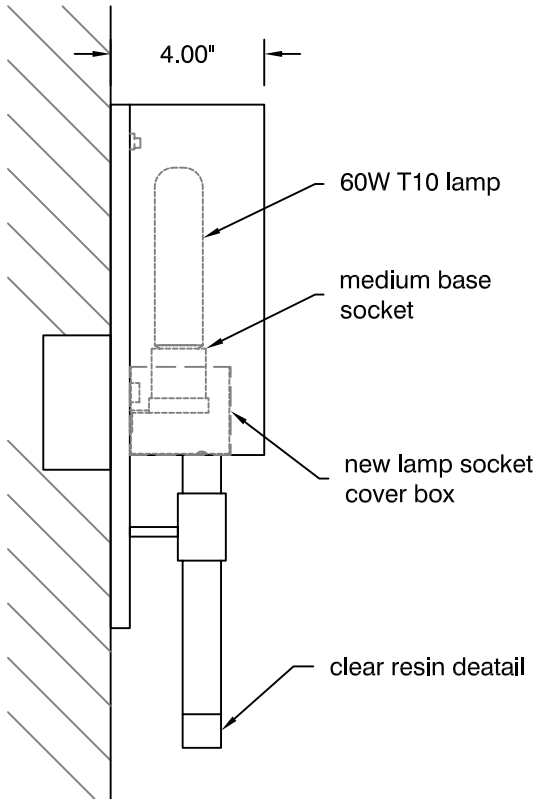


4" octagonal junction box (supplied by others)

TOP VIEW



FRONT VIEW



SIDE VIEW

BEACON scone
oxygen **2-5129-xx**

OXYGEN LIGHTING ©

METAL FINISHES

- o 14 - polished chrome
- o 24 - satin nickel
- o 30 - satin brass
- o 95 - old world

SHADE

- o white linen shade

VOLTAGE

- o 120V

LAMPING

- o 1x60W T-10 medium base incandescent

DIMENSIONS

- o 7.00" (w) x 16.88" (h)
- o 4.00" ext. from wall

INSTALLATION

- o 4" octagonal "J"- Box
- o UL Damp Listed
- o ADA

Sample Catalog Number

Series # 2-5129 - **Finish** 24 = **Catalog number** 2-5129-24

oxygen

OXYGEN LIGHTING SUITE 900
580 BROADWAY, NEW YORK, NY 10012
TEL. (877) 607-0202 FAX (877) 607-0203

PROJECT: _____

DATE: _____