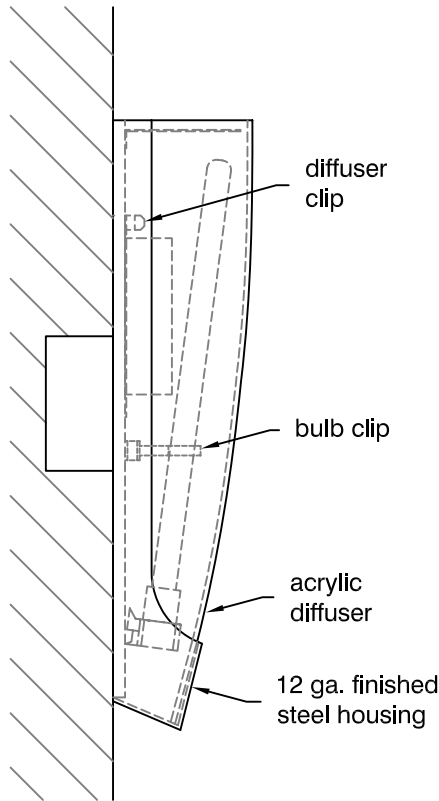
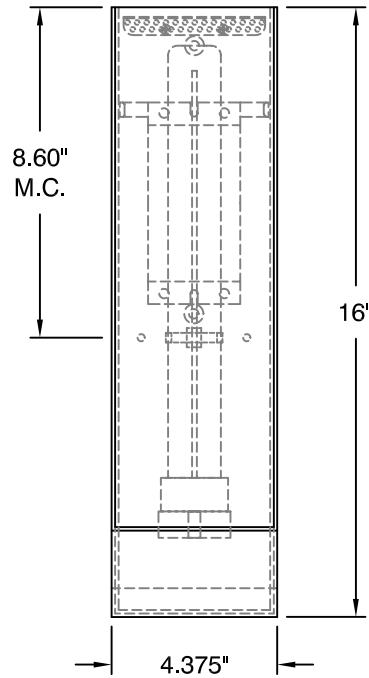


TOP VIEW



SIDE VIEW



FRONT VIEW

APOLLO sconce
oxygen **2-5107-XX**

OXYGEN LIGHTING ©

LAMPING

- o 1x24W long twin tube compact fluorescent (2G11)

DIFFUSER

- o matte white acrylic

METAL FINISHES

- o 24 - satin nickel
- o 14 - polished chrome

DIMENSIONS

- o 4.375" (w) x 16" (h)
- o 3.75" ext. from wall

INSTALLATION

- o 4" octagonal "J"- Box
- o UL Damp Listed
- o ADA

VOLTAGE

- o 120/277V

BALLAST

- o universal voltage, electronic HPF programmed start

Sample Catalog Number

Series # 2-5107 - **Finish** 24 = **Catalog number** 2-5107-24

oxygen

OXYGEN LIGHTING SUITE 900
580 BROADWAY, NEW YORK, NY 10012
TEL. (877) 607-0202 FAX (877) 607-0203

PROJECT: _____

DATE: _____