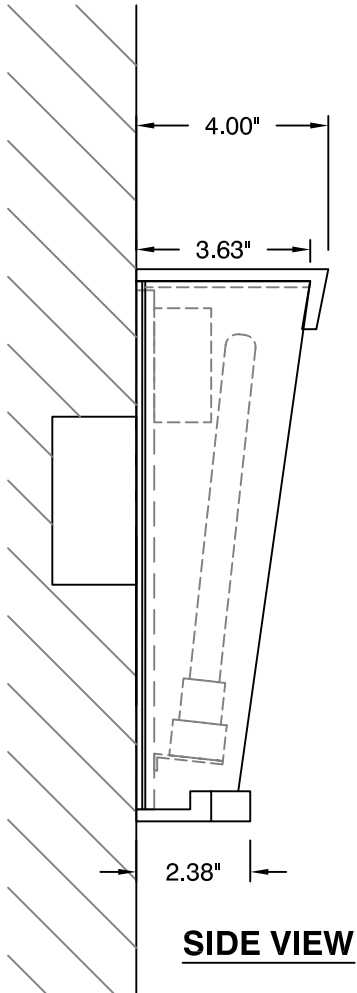
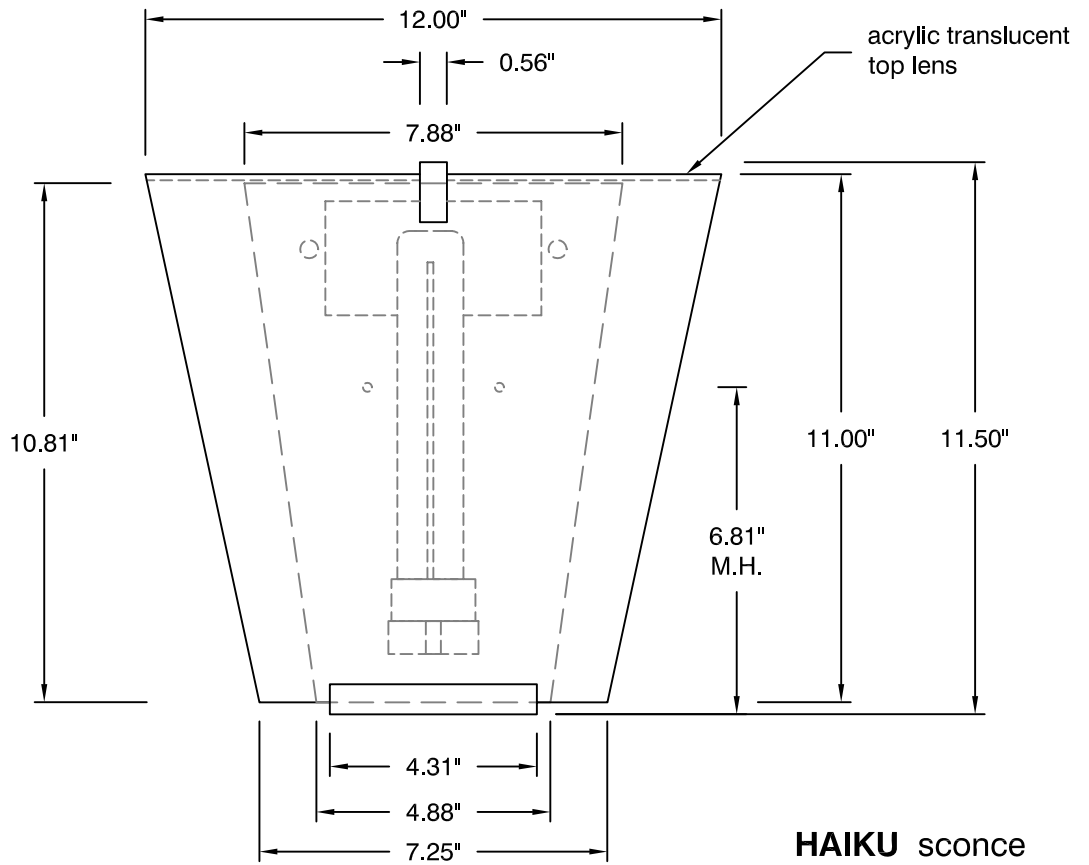


**TOP VIEW**



**SIDE VIEW**



**FRONT VIEW**

**HAIKU** scone  
oxygen **2-570-xxx**

OXYGEN LIGHTING ©

**LAMPING**

- o 1 x 18W twin 4-pin fluorescent (2G11) (recommend using lamps with End Of Life protection)

**DIFFUSERS**

- o 1 - white opal glass
- o 2 - matte white acrylic
- o 3 - tobacco acrylic
- o 4 - faux onyx acrylic
- o 6 - silver cloth acrylic
- o 7 - wave pattern acrylic
- o 8 - leaf acrylic

**METAL FINISHES**

- o 24 - satin nickel
- o 30 - satin brass
- o 14 - polished chrome
- o 2 - polished brass
- o 95 - old world

**OPTIONS**

- o H - 277V ballast

**INSTALLATION**

- o 4" octagonal "J"- Box
- o UL Damp Listed
- o ADA

**DIMENSIONS**

- o 12" (w) x 11.50" (h)
- o 4" ext. from wall

**BALLAST**

- o electronic, HPF instant start

**VOLTAGE**

- o 120V

**Sample Catalog Number**

Series #	Diffuser	Finish	Options	Catalog number
2-570	- 1	30	-	= 2-570-130

**oxygen**

**OXYGEN LIGHTING** SUITE 900  
580 BROADWAY, NEW YORK, NY 10012  
TEL. (877) 607-0202 FAX (877) 607-0203

PROJECT: \_\_\_\_\_

DATE: \_\_\_\_\_