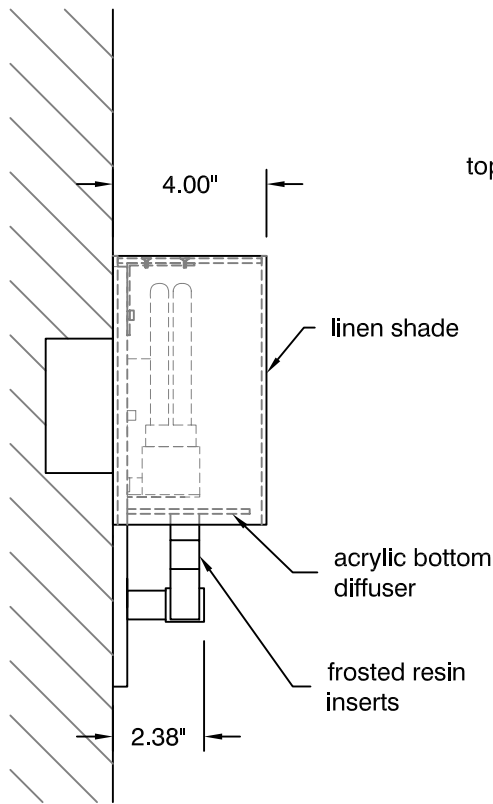
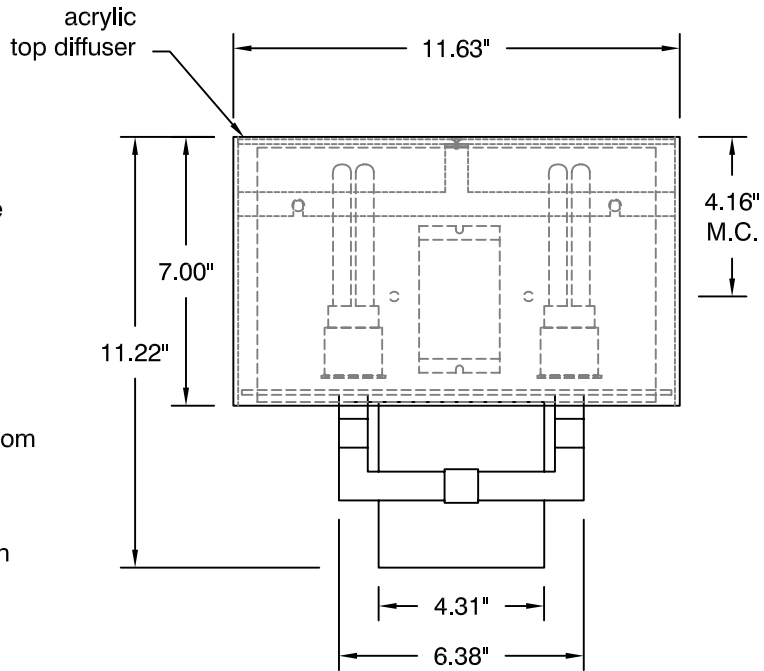


TOP VIEW



SIDE VIEW



FRONT VIEW

CHAMELEON sconce
oxygen **2-5111-1XX**

OXYGEN LIGHTING ©

<u>LAMPING</u>	<u>DIFFUSERS</u>	<u>METAL FINISHES</u>	<u>VOLTAGE</u>	<u>DIMENSIONS</u>	<u>INSTALLATION</u>
o 2x13W quad tube 4-pin fluorescent (G24q-1)	o white linen shade	o 14 - polished chrome o 24 - satin nickel	o 120V	o 11.63" (w) x 11.22" (h) 4" ext. from wall	o 4" octagonal "J"- Box o UL approved for damp locations o ADA
<u>BALLAST</u> o electronic, NPF rapid start					

Sample Catalog Number

<u>Series #</u>	<u>Diffuser</u>	<u>Finish</u>	<u>Catalog number</u>
2-5111	- 1	24	= 2-5111-124

oxygen	OXYGEN LIGHTING SUITE 900 580 BROADWAY, NEW YORK, NY 10012 TEL. (877) 607-0202 FAX (877) 607-0203	PROJECT: _____ DATE: _____
---------------	--	-----------------------------------