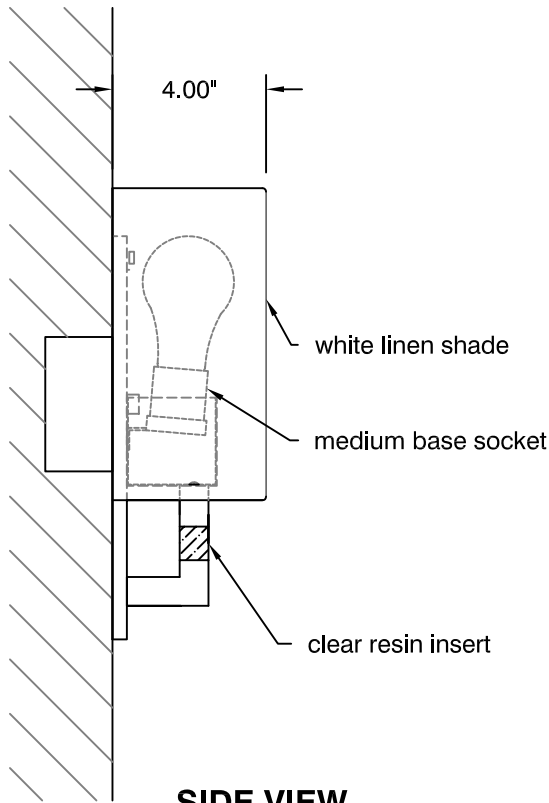
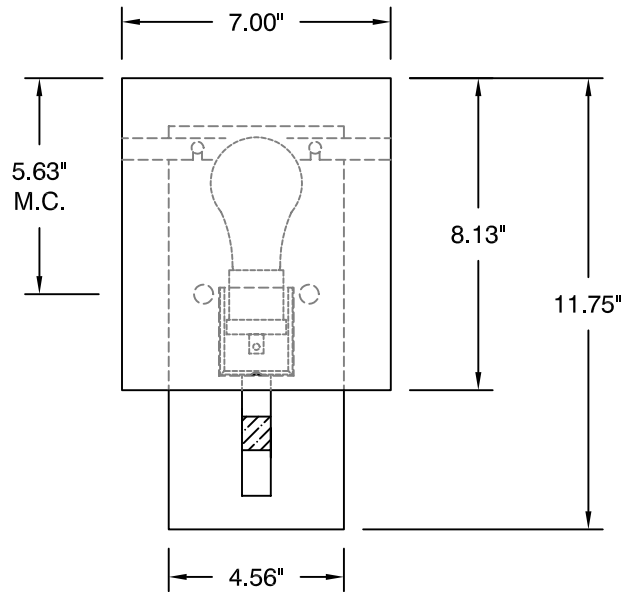


**TOP VIEW**



**SIDE VIEW**



**FRONT VIEW**

**CHAMELEON** sconce  
oxygen **2-5125-1xx**

OXYGEN LIGHTING ©

**METAL FINISHES**

- o 14 - polished chrome
- o 24 - satin nickel

**DIFFUSER**

- o white linen shade

**VOLTAGE**

- o 120V

**LAMPING**

- o 1x60W medium base incandescent

**DIMENSIONS**

- o 7" (w) x 11.75" (h) 4.00" ext. from wall

**INSTALLATION**

- o 4" octagonal "J"- Box
- o UL Damp Listed
- o ADA

**Sample Catalog Number**

Series #	Diffuser	Finish	Catalog number
2-5125	- 1	24 =	2-5125-124

**oxygen**

**OXYGEN LIGHTING** SUITE 900  
580 BROADWAY, NEW YORK, NY 10012  
TEL. (877) 607-0202 FAX (877) 607-0203

PROJECT: \_\_\_\_\_

DATE: \_\_\_\_\_