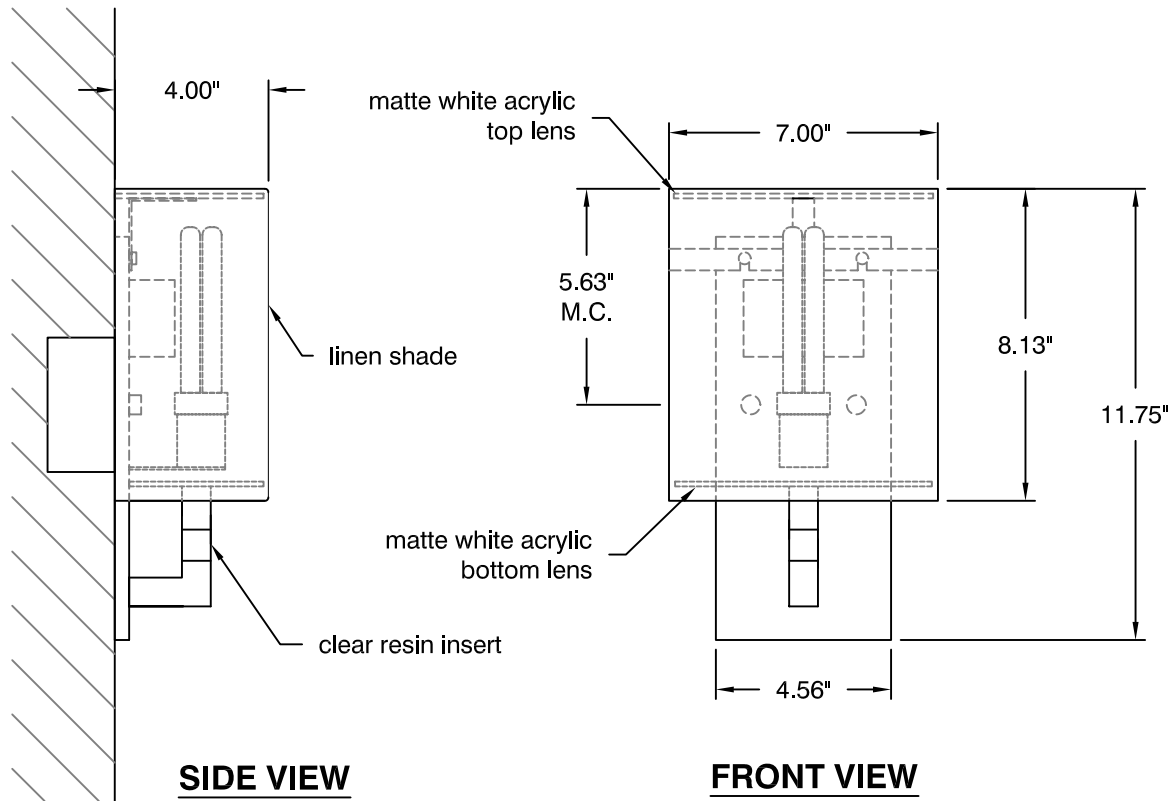


**TOP VIEW**



**SIDE VIEW**

**FRONT VIEW**

**CHAMELEON** sconce  
oxygen **2-5110-1xx**

OXYGEN LIGHTING ©

**LAMPING**

- o 1x26W quad tube cfl (G24q-3)

**DIFFUSER**

- o 1 - white linen shade

**METAL FINISH**

- o 24 - satin nickel
- o 14 - polished chrome

**DIMENSIONS**

- o 7" (w) x 11.75" (h)
- o 4.0" ext. from wall

**INSTALLATION**

- o 4" octagonal "J"- Box
- o UL Damp Listed
- o ADA

**VOLTAGE**

- o 120V

**BALLAST**

- o electronic, NPF rapid start

**Sample Catalog Number**

Series #	Diffuser	Finish		Catalog number
2-5110	- 1	24	=	2-5110-124

**oxygen**

OXYGEN LIGHTING SUITE 900  
580 BROADWAY, NEW YORK, NY 10012  
TEL. (877) 607-0202 FAX (877) 607-0203

PROJECT: \_\_\_\_\_

DATE: \_\_\_\_\_