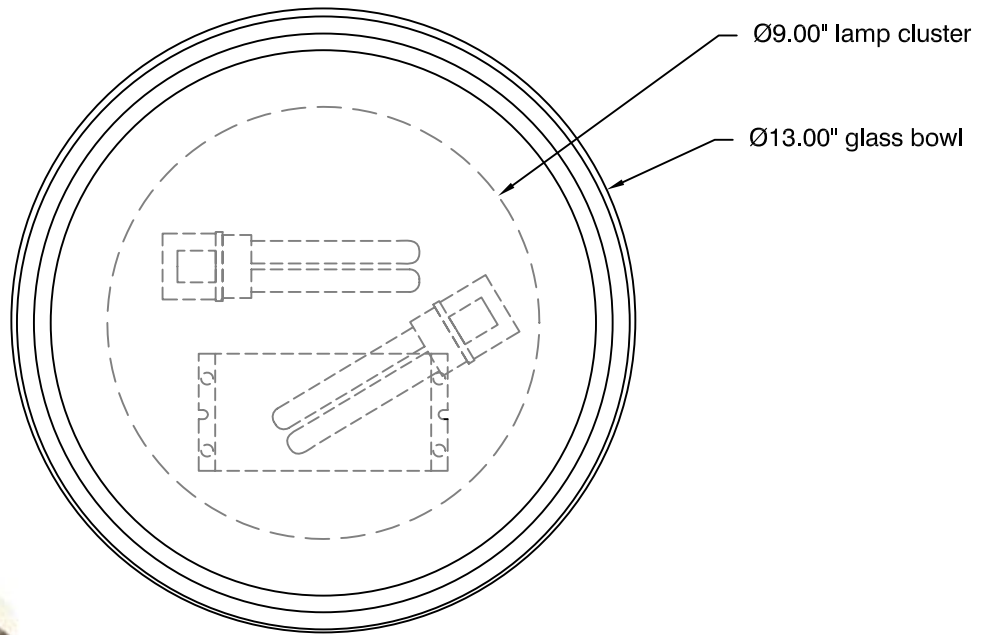


SIDE VIEW



BOTTOM VIEW



SATURNA ceiling mount
oxygen **15-1-xx, 15-2-xx**

OXYGEN LIGHTING ©

LAMPING

- o 15-1: 2x60W A19 inc. (med. base)
(glass diffusers only)
- o 15-2: 2x13W quad cfl (G24q-1)

BALLAST

- o universal voltage electronic HPF, programmed start

VOLTAGE

- o 120/277V
- o 120V (inc.)

METAL FINISHES

- o 2 - polished brass
- o 14 - polished chrome
- o 24 - satin nickel
- o 30 - satin brass
- o 95 - old world

DIFFUSER

- o white opal glass

OPTIONS

- o A13 - acrylic bowl
(fluorescent lamping only)

DIMENSIONS

- o Ø13" x 5.06"(h)

INSTALLATION

- o 4" octagonal "J"-Box
- o UL Listed

Sample Catalog Number

Series #	Finish	Option		Catalog number
15-2	- 24	- A13	=	15-2-24-A13

oxygen

OXYGEN LIGHTING SUITE 900
580 BROADWAY, NEW YORK, NY 10012
TEL. (877) 607-0202 FAX (877) 607-0203

PROJECT: _____

DATE: _____