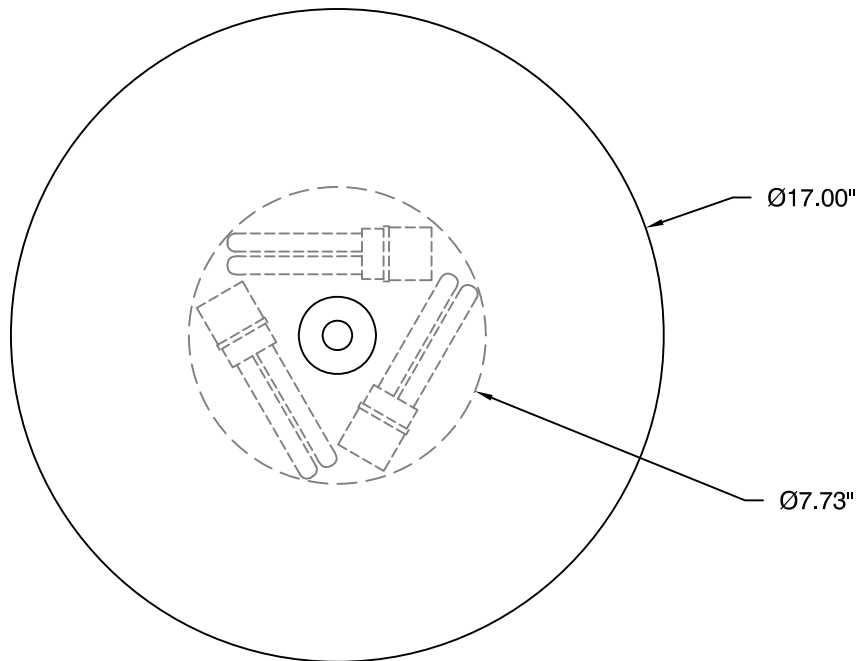


SIDE VIEW



BOTTOM VIEW



MOONSTONE flush mount
oxygen **16-4-xx**

OXYGEN LIGHTING ©

LAMPING

- o 16-4: 3x13W quad cfl (G24q-1)

METAL FINISHES

- o 2 - polished brass
- o 14 - polished chrome
- o 24 - satin nickel
- o 30 - satin brass
- o 95 - old world

VOLTAGE

- o 120/277V

DIMENSIONS

- o Ø17" x 6.40" (h)

INSTALLATION

- o 4" octagonal "J"-Box
- o UL Listed

BALLAST

- o universal voltage electronic HPF, programmed start

OPTIONS

- o A17 - acrylic diffuser

DIFFUSER

- o 3/8" white opal glass
- o 3/16" matte white acrylic (optional)

Sample Catalog Number

<u>Series #</u>	<u>Finish</u>	<u>Options</u>	<u>Catalog number</u>
16-4	- 14	- A17 =	16-4-14-A17

oxygen

OXYGEN LIGHTING SUITE 900
580 BROADWAY, NEW YORK, NY 10012
TEL. (877) 607-0202 FAX (877) 607-0203

PROJECT: _____
DATE: _____