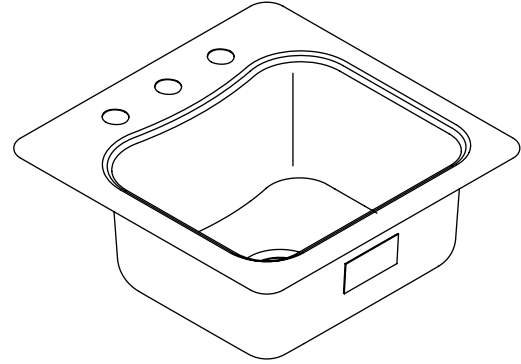


### Features

- Self-rimming
- Includes installation hardware
- Single compartment
- 18 gauge stainless steel
- 3-hole (K-3363-3), 2-hole (3363-2) or single hole (3363-1) faucet punching
- 20" (50.8 cm) x 20" (50.8 cm)

### SELF-RIMMING KITCHEN SINK K-3363



### Codes/Standards Applicable

Specified model meets or exceeds the following:

- ASME A112.19.3
- IAPMO/UPC
- CSA B45

### Colors/Finishes

- NA: None applicable

#### Accessories:

- CP: Polished Chrome
- NA: None applicable
- Other: Refer to Price Book for additional colors/finishes

### Specified Model

Model	Description	Colors/Finishes
K-3363-3	3-hole sink	<input type="checkbox"/> NA
K-3363-2	2-hole sink	<input type="checkbox"/> NA
K-3363-1	Single-hole sink	<input type="checkbox"/> NA

Optional Accessories			
K-3367	Hardwood cutting board	<input type="checkbox"/> NA	
K-5917	Countertop cutting board	<input type="checkbox"/> NA	
K-8801	Duostrainer® sink strainer	<input type="checkbox"/> CP	<input type="checkbox"/> Other_____
K-8803 with K-8804	Duostrainer® sink strainer	<input type="checkbox"/> CP	<input type="checkbox"/> Other_____
K-8813	Duostrainer® sink strainer	<input type="checkbox"/> CP	<input type="checkbox"/> Other_____
K-8814	Sink strainer	<input type="checkbox"/> CP	<input type="checkbox"/> Other_____

### Product Specification:

The self-rimming sink shall be 20" (50.8 cm) in length, and 20" (50.8 cm) in width. Sink shall be made of 18 gauge stainless steel. Sink shall be single compartment. Sink shall be 3-hole (K-3363-3), 2-hole (3363-2) or single hole (3363-1) faucet punched. Sink shall include installation hardware. Sink shall be Kohler Model K-3363-\_\_\_\_-\_\_\_\_.

# STACCATO™

## Technical Information

Fixture*:	basin area	water depth
Lavatory	16-1/8" (41 cm) x 13-9/16" (34.4 cm)	8" (20.3 cm)
Drain Hole	3-5/8" (9.2 cm) D.	
Faucet holes	1-7/16" (3.7 cm) D.	

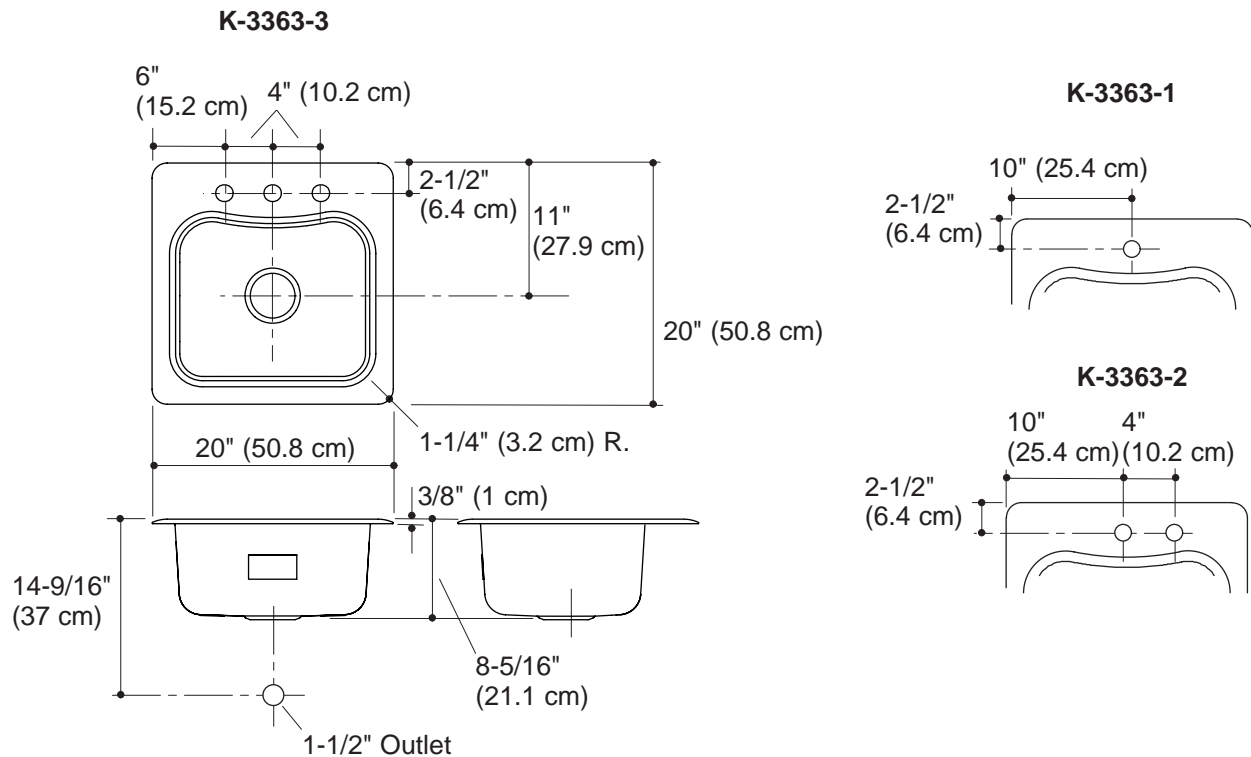
\* Approximate measurements for comparison only.

Included components:	
Installation hardware	1036072

## Installation Notes

Install this product according to the installation guide.

Cutout is 19-1/2" (49.5 cm) x 19-1/2" (49.5 cm) with 1" (2.5 cm) radius corners.



## Product Diagram

STACCATO™ SELF-RIMMING KITCHEN SINK

Page 2 of 2  
1013273-4-C

THE BOLD LOOK  
OF **KOHLER**®