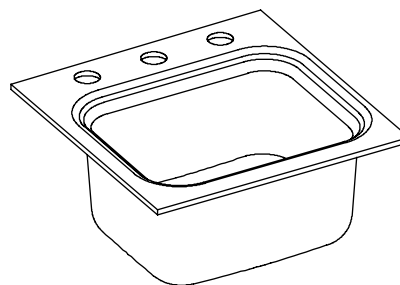


Features

- KOHLER cast iron
- Acid-resistant enamel finish
- Tile-in
- Single compartment
- 3-hole (-3), 2-hole (-2), or single-hole (-1)
- 15" (38.1 cm) x 15" (38.1 cm)

TILE-IN ENTERTAINMENT SINK K-6589



Codes/Standards Applicable

Specified model meets or exceeds the following:

- ASME A112.19.1M
- IAPMO/UPC
- CSA B45

Colors/Finishes

- 0: White
- Other: Refer to Price Book for additional colors/finishes

Accessories:

- CP: Polished Chrome
- NA: None applicable
- Other: Refer to Price Book for additional colors/finishes

Specified Model

Model	Description	Colors/Finishes	
K-6589-3	3-hole sink	<input type="checkbox"/> 0	<input type="checkbox"/> Other_____
K-6589-2	2-hole sink	<input type="checkbox"/> 0	<input type="checkbox"/> Other_____
K-6589-1	Single-hole sink	<input type="checkbox"/> 0	<input type="checkbox"/> Other_____

Optional Accessories			
K-6590	Hardwood cutting board	<input type="checkbox"/> NA	
K-8801	Duostrainer® sink strainer	<input type="checkbox"/> CP	<input type="checkbox"/> Other_____

Product Specification

The tile-in entertainment sink shall be made of cast iron with acid-resistant enamel finish. Sink shall be single compartment. Sink shall be 3-hole (-3), 2-hole (-2), or single-hole (-1). Sink shall be 15" (38.1 cm) in length and 15" (38.1 cm) in width. Sink shall be Kohler Model K-6589-_____-_____.

NORTHLAND™

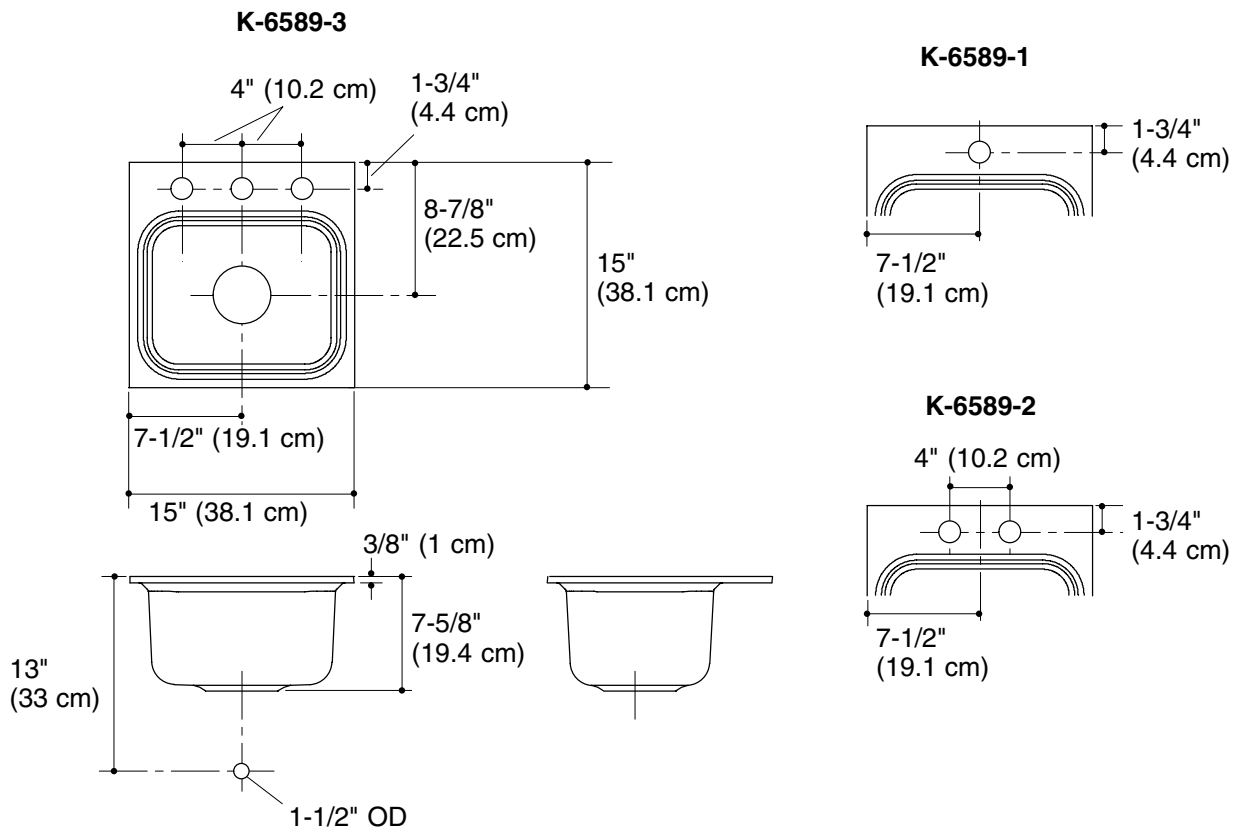
Technical Information

Fixture*:	
Basin area	9-1/4" (23.5 cm) x 12" (30.5 cm)
Water depth	7" (17.8 cm)
Drain hole	3-7/8" (9.8 cm) D.
Faucet holes	1-3/8" (3.5 cm) D.
* Approximate measurements for comparison only.	

Installation Notes

Install this product according to the installation guide.

Cutout is 14-1/4" (36.2 cm) by 14-1/4" (36.2 cm) with 1" (2.5 cm) radius corners.



Product Diagram

NORTHLAND™ TILE-IN ENTERTAINMENT SINK

Page 2 of 2
89091-4-AC

THE BOLD LOOK
OF **KOHLER**®