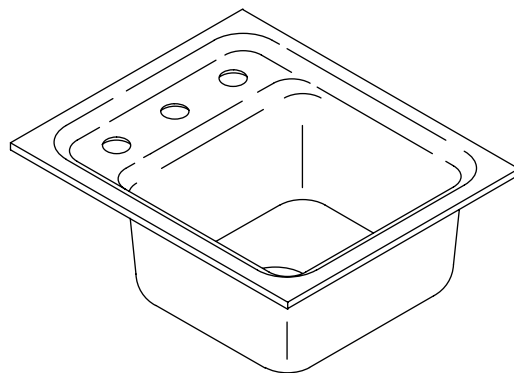


Features

- KOHLER cast iron
- Acid-resistant enamel finish
- Tile-in
- Single compartment
- 3-hole (-3), 2-hole (-2), or single hole (-1)
- 16" (40.6 cm) x 19" (48.3 cm)

TILE-IN ENTERTAINMENT SINK K-6540



Codes/Standards Applicable

Specified model meets or exceeds the following:

- ASME A112.19.1M
- IAPMO/UPC
- CSA B45

Colors/Finishes

- 0: White
- Other: Refer to Price Book for additional colors/finishes

Accessories:

- CP: Polished Chrome
- NA: None applicable
- Other: Refer to Price Book for additional colors/finishes

Specified Model

Model	Description	Colors/Finishes	
K-6540-3	3-hole sink	<input type="checkbox"/> 0	<input type="checkbox"/> Other_____
K-6540-2	2-hole sink	<input type="checkbox"/> 0	<input type="checkbox"/> Other_____
K-6540-1	Single-hole sink	<input type="checkbox"/> 0	<input type="checkbox"/> Other_____

Optional Accessories			
K-6508	Hardwood cutting board	<input type="checkbox"/> NA	
K-8801	Duostrainer® sink strainer	<input type="checkbox"/> CP	<input type="checkbox"/> Other_____

Product Specification

The tile-in entertainment sink shall be made of cast iron with acid-resistant enamel finish. Sink shall be single compartment. Sink shall be 3-hole (-3), 2-hole (-2), or single-hole (-1). Sink shall be 16" (40.6 cm) in length and 19" (48.3 cm) in width. Sink shall be Kohler Model K-6540-_____-_____.

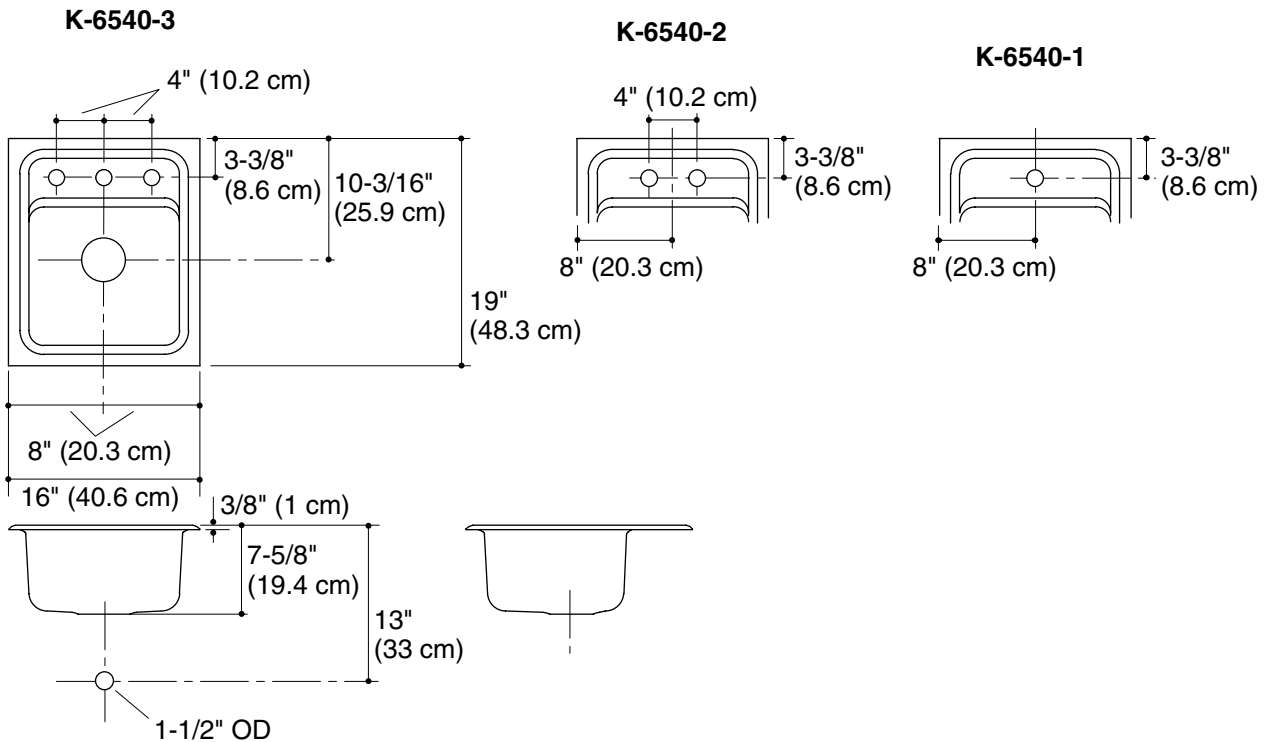
APERITIF™

Technical Information

Fixture*:	
Basin area	12" (30.5 cm) x 13" (33 cm)
Water depth	6-1/2" (16.5 cm)
Drain hole	3-5/8" (9.2 cm) D.
Faucet holes	1-3/8" (3.5 cm) D.
* Approximate measurements for comparison only.	

Installation Notes

Install this product according to the installation guide.
 Cutout is 14-3/4" (37.5 cm) by 17-3/4" (45.1 cm) with 2-5/16" (5.9 cm) radius corners.



Product Diagram