

Features

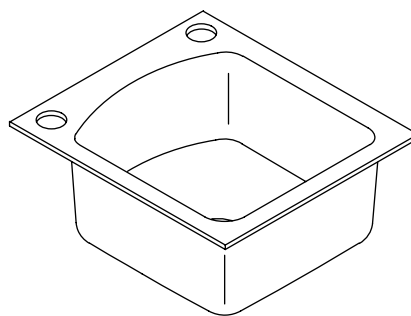
- KOHLER cast iron
- Undercounter
- Single compartment
- 2-hole (oversize)
- 15-3/4" (40 cm) x 17-3/8" (44.1 cm)

UNDERCOUNTER ENTERTAINMENT SINK K-5848-2U

Codes/Standards Applicable

Specified model meets or exceeds the following:

- ASME A112.19.1M
- IAPMO/UPC
- CSA B45



Colors/Finishes

- 0: White
- Other: Refer to Price Book for additional colors/finishes

Accessories:

- 0: White
- NA: None applicable
- Other: Refer to Price Book for additional colors/finishes

Specified Model

Model	Description	Colors/Finishes	
K-5848-2U	2-hole (oversized) sink	<input type="checkbox"/> 0	<input type="checkbox"/> Other_____

Optional Accessories			
K-3294	Hardwood cutting board	<input type="checkbox"/> NA	
K-6009	Wire rack	<input type="checkbox"/> 0	<input type="checkbox"/> Other_____

Product Specification

The entertainment sink shall be made of cast iron. Sink shall be undercounter mount. Sink shall be single compartment. Sink shall be 2-hole (oversized). Sink shall be 15-3/4" (40 cm) in length and 17-3/8" (44.1 cm) in width. Sink shall be Kohler Model K-5848-2U-_____.

NAPA

Technical Information

Fixture*:	
Basin area	16" (40.6 cm) x 17" (43.2 cm)
Water depth	9" (22.9 cm)
Drain hole	3-7/8" (9.8 cm) D.
Faucet holes	2-3/8" (6 cm) D.
* Approximate measurements for comparison only.	

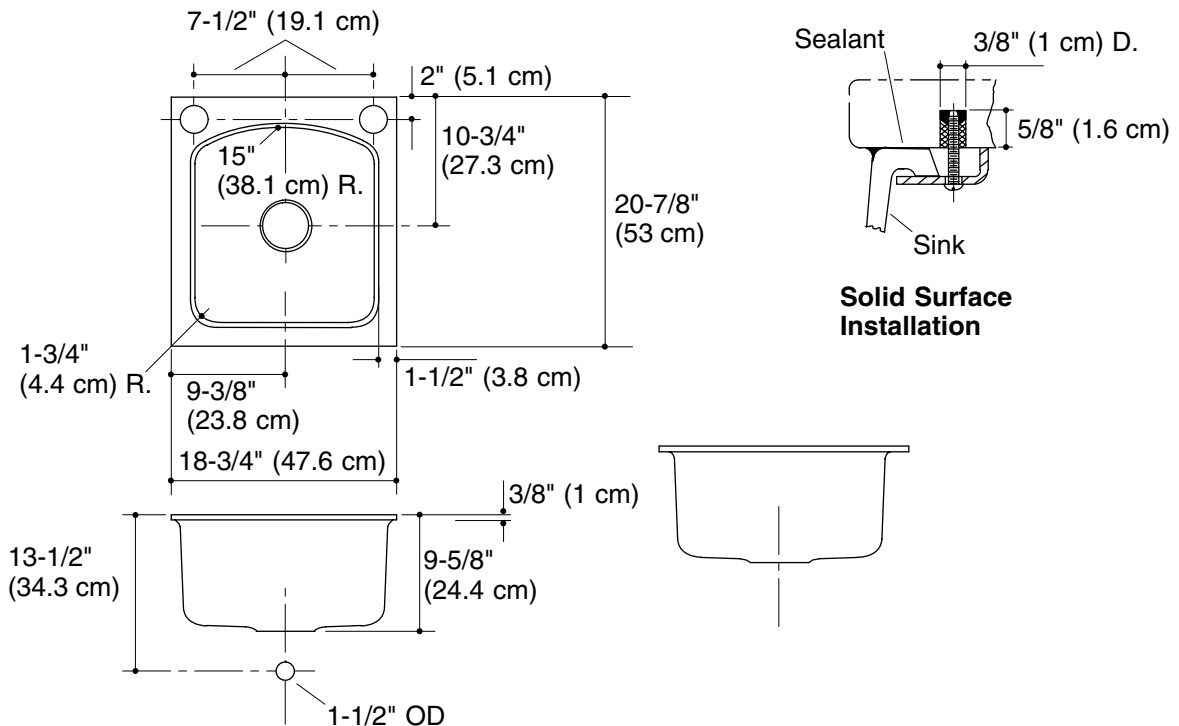
Included component:	
Cut-out template	114713-7

Installation Notes

Install this product according to the installation guide.

Supplied basin clamp assemblies require 1" (2.5 cm) minimum countertop thickness. Installer must supply hardware for thinner countertops.

For multiple bowl undercounter installations, a minimum distance of 3-3/8" (8.6 cm) is required between bowls. Countertop supplier to determine required support.



Product Diagram

NAPA UNDERCOUNTER ENTERTAINMENT SINK

Page 2 of 2
114713-4-AB

THE BOLD LOOK
OF **KOHLER**