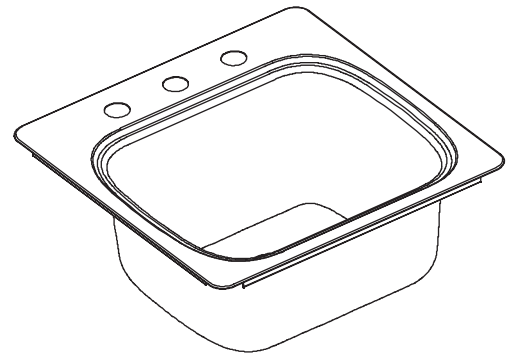


Features

- 18 gauge stainless steel
- Self-rimming
- Single compartment
- Includes installation hardware
- 3-hole (-3), 2-hole (-2), or single-hole (-1)
- 20" (50.8 cm) x 20" (50.8 cm)

SELF-RIMMING ENTERTAINMENT SINK K-3382



Codes/Standards Applicable

Specified model meets or exceeds the following:

- ASME A112.19.3
- IAPMO/UPC

Colors/Finishes

- NA: None applicable

Accessories:

- CP: Polished Chrome
- ST: Stainless Steel
- NA: None applicable
- Other: Refer to Price Book for additional colors/finishes

Specified Model

Model	Description	Colors/Finishes
K-3382-3	3-hole entertainment sink	<input type="checkbox"/> NA
K-3382-2	2-hole entertainment sink	<input type="checkbox"/> NA
K-3382-1	Single-hole entertainment sink	<input type="checkbox"/> NA

Optional Accessories		
K-3128	Hardwood cutting board	<input type="checkbox"/> NA
K-3134	Stainless steel bottom basin rack	<input type="checkbox"/> ST
K-8801	Duostrainer® sink strainer	<input type="checkbox"/> CP <input type="checkbox"/> Other _____
K-8813	Stainless steel sink strainer with tailpiece	<input type="checkbox"/> CP
K-8814	Stainless steel sink strainer less tailpiece	<input type="checkbox"/> CP

Product Specification:

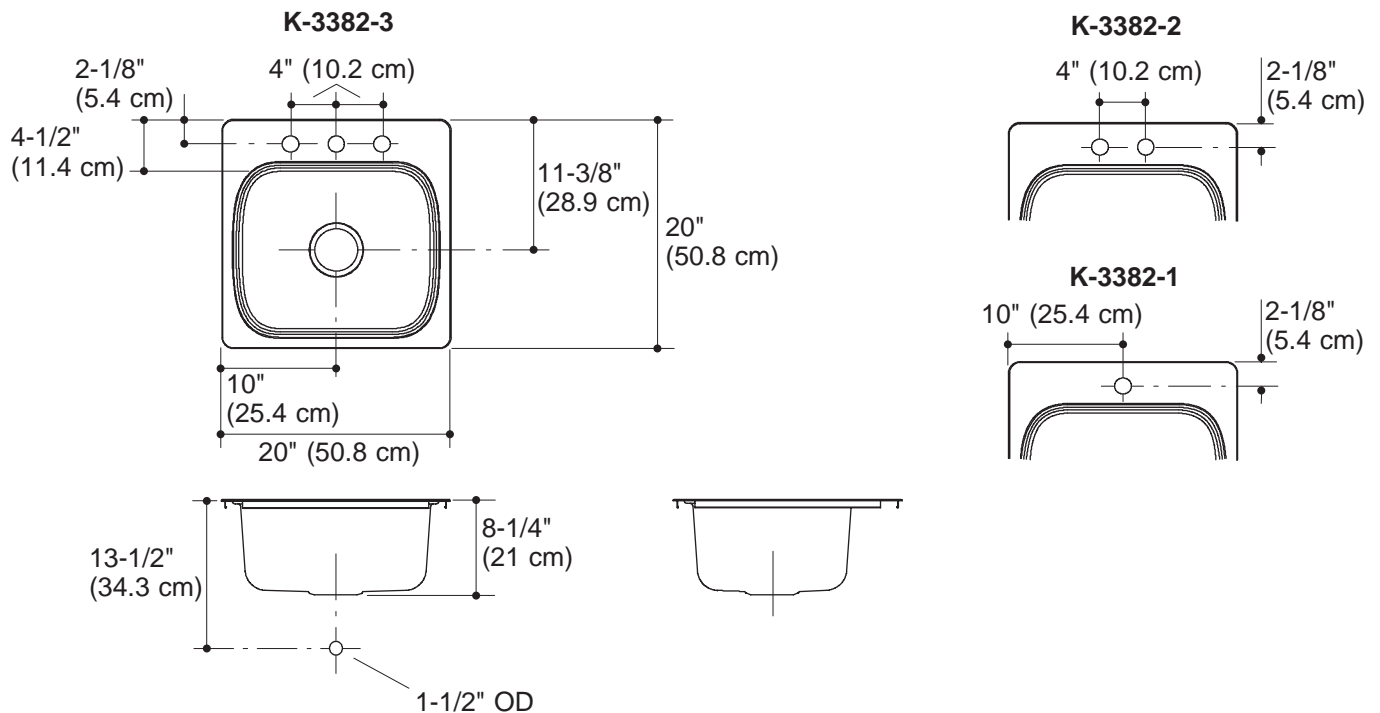
The self-rimming entertainment sink shall be 20" (50.8 cm) in length and 20" (50.8 cm) in width. Sink shall be made of 18 gauge stainless steel. Sink shall be a single compartment. Sink shall be 3-hole (-3), 2-hole (-2), or single-hole (-1). Sink shall include installation hardware. Sink shall be Kohler Model K-3382-_____.

Technical Information

Fixture*:	Basin area	Water depth
Sink	16-1/2" (41.9 cm) x 13-3/4" (34.9 cm)	8" (20.3 cm)
Drain hole	3-5/8" (9.2 cm) D.	
Faucet holes	1-7/16" (3.7 cm) D.	
* Approximate measurements for comparison only.		
Included component:		
Fastener pack	1023180	

Installation Notes

Install this product according to the installation guide.
Cutout is 19-1/2" (49.5 cm) x 19-1/2" (49.5 cm) with 3/4" (1.9 cm) radius corners.



Product Diagram