

### Features

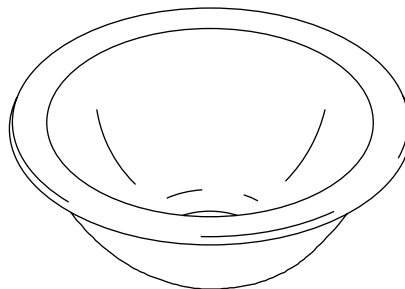
- KOHLER cast iron
- Acid-resistant enamel finish
- Single compartment
- Self-rimming or undercounter
- Includes installation hardware
- 14-1/2" (36.8 cm) in diameter

### SELF-RIMMING OR UNDERCOUNTER KITCHEN SINK K-6588

### Codes/Standards Applicable

Specified model meets or exceeds the following:

- ASME A112.19.1M
- IAPMO/UPC
- CSA B45



### Colors/Finishes

- 0: White
- Other: Refer to Price Book for additional colors/finishes

### Accessories:

- CP: Polished Chrome
- Other: Refer to Price Book for additional colors/finishes

### Specified Model

Model	Description	Colors/Finishes	
K-6588	Round kitchen sink	<input type="checkbox"/> 0	<input type="checkbox"/> Other_____
Optional Accessories			
K-8801	Duostrainer® sink strainer	<input type="checkbox"/> CP	<input type="checkbox"/> Other_____

### Product Specification

The kitchen sink shall be made of cast iron with acid-resistant enamel finish. Sink shall be self-rimming with a single compartment. Sink shall be 14-1/2" (36.8 cm) in diameter. Sink shall be Kohler Model K-6588-\_\_\_\_\_.

# IRON/TONES™

## Technical Information

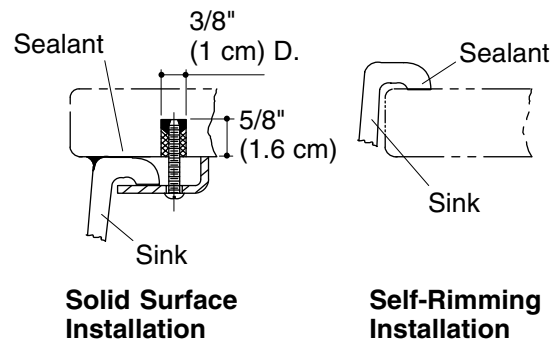
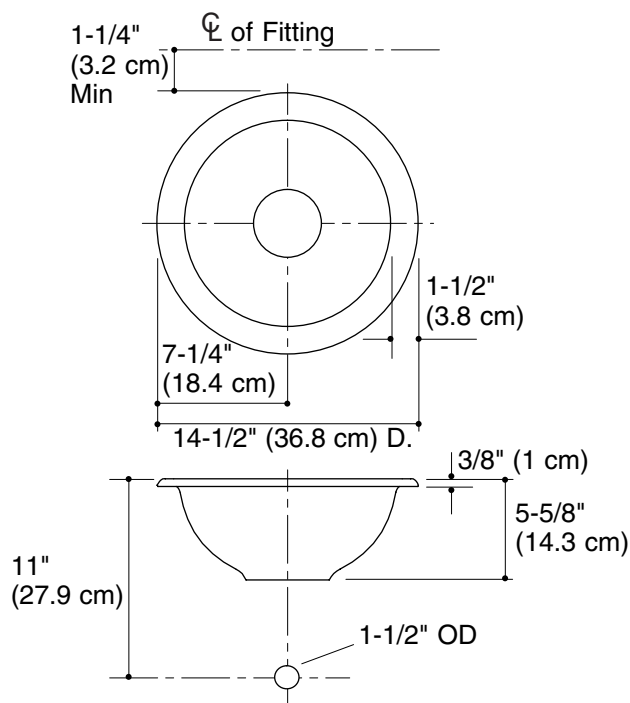
Fixture*:	
Basin area	11-1/2" (29.2 cm) D.
Water depth	5" (12.7 cm)
Drain hole	3-7/8" (9.8 cm) D.
* Approximate measurements for comparison only.	
Included components:	
Basin clamp accessory pack	52047
Cut-out template	114336-7

## Installation Notes

Install this product according to the installation guide.

Supplied basin clamp assemblies require 1" (2.5 cm) minimum countertop thickness. Installer must supply hardware for thinner countertops.

For multiple bowl undercounter installations, a minimum distance of 3-3/8" (8.6 cm) is required between bowls. Countertop supplier to determine required support.



## Product Diagram

IRON/TONES™ SELF-RIMMING OR UNDERCOUNTER KITCHEN SINK

Page 2 of 2  
114336-4-AD

THE BOLD LOOK  
OF **KOHLER**®