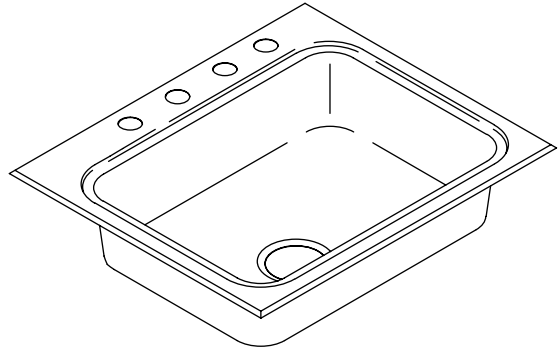


Features

- 19 gauge stainless steel
- Self-rimming
- Single compartment
- Includes installation hardware
- 25" (63.5 cm) x 21-1/4" (54 cm)

SELF-RIMMING KITCHEN SINK K-3314



Codes/Standards Applicable

Specified model meets or exceeds the following:

- ASME A112.19.3
- IAPMO/UPC

Colors/Finishes

- NA: None applicable

Accessories:

- CP: Polished Chrome
- NA: None applicable
- Other: Refer to Price Book for additional colors/finishes

Specified Model

Model	Description	Colors/Finishes	
K-3314-4	4-hole sink	<input type="checkbox"/> NA	
K-3314-3	3-hole sink	<input type="checkbox"/> NA	
Optional Accessories			
K-3293	Hardwood cutting board	<input type="checkbox"/> NA	
K-8801	Duostrainer® sink strainer	<input type="checkbox"/> CP	<input type="checkbox"/> Other_____

Product Specification

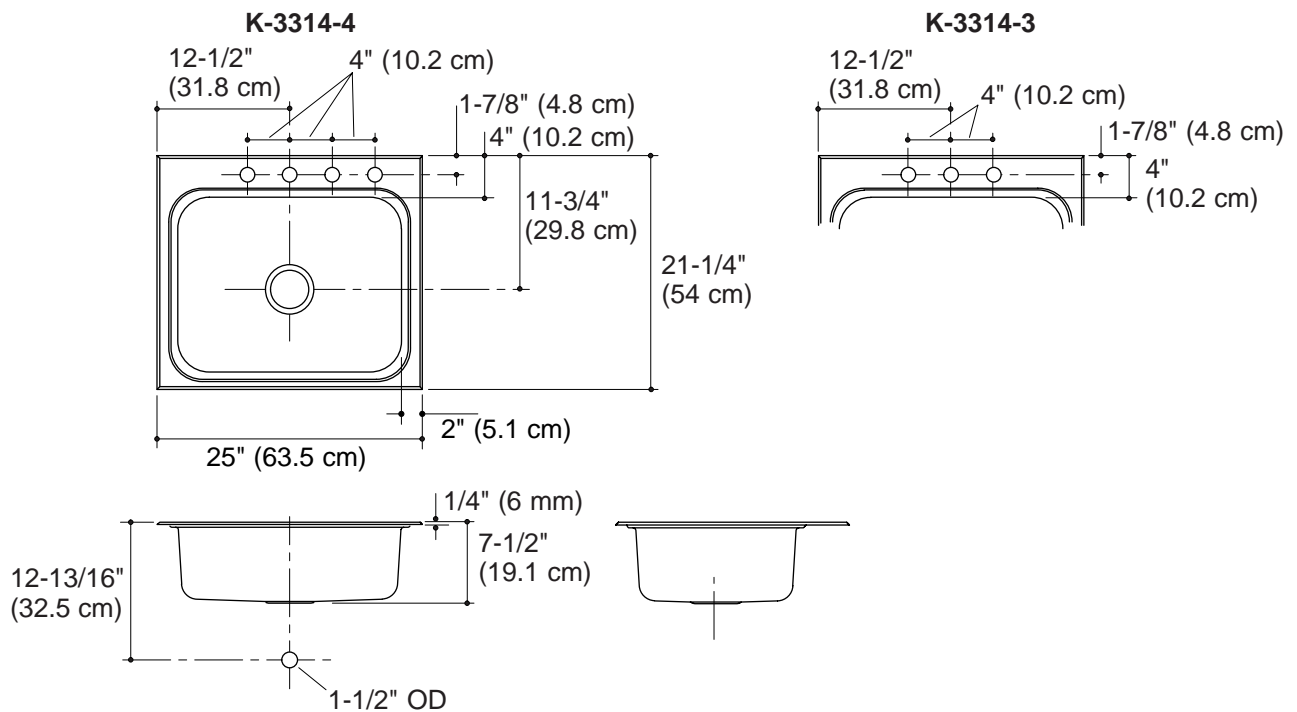
The self-rimming kitchen sink shall be 25" (63.5 cm) in length and 21-1/4" (54 cm) in width. Sink shall be made of 19 gauge stainless steel. Sink shall be single compartment. Sink shall include installation hardware. Sink shall be Kohler Model K-3314-_____.

Technical Information

Fixture*:	
Basin area	21" (53.3 cm) x 15" (38.1 cm)
Water depth	7" (17.8 cm)
Drain hole	3-5/8" (9.2 cm) D.
Faucet holes	1-7/16" (3.7 cm) D.
*Approximate measurements for comparison only.	
Included components:	
Fastener pack	1023180

Installation Notes

Install this product according to the installation guide.
 Cutout is 24-1/2" (62.2 cm) x 20-3/4" (52.7 cm) with 1/2" (1.3 cm) radius corners.



Product Diagram