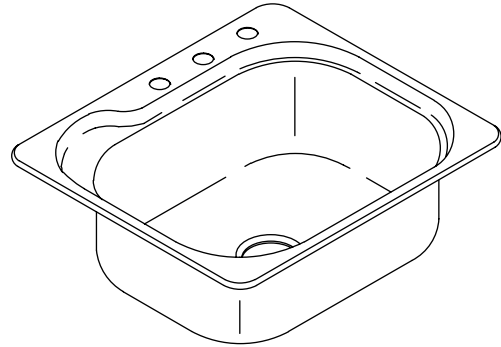


Features

- 18 gauge stainless steel
- Self-rimming
- Single compartment
- Includes installation hardware
- 4-hole (-4), 3-hole (-3), or single-hole (-1)
- 25" (63.5 cm) x 22" (55.9 cm)

SELF-RIMMING KITCHEN SINK K-3300



Codes/Standards Applicable

Specified model meets or exceeds the following:

- ASME A112.19.3
- IAPMO/UPC

Colors/Finishes

- NA: None applicable

Accessories:

- CP: Polished Chrome
- NA: None applicable
- Other: Refer to Price Book for additional colors/finishes

Specified Model

Model	Description	Colors/Finishes	
K-3300-4	4-hole sink	<input type="checkbox"/> NA	
K-3300-3	3-hole sink	<input type="checkbox"/> NA	
K-3300-1	Single-hole sink	<input type="checkbox"/> NA	
Optional Accessories			
K-8801	Duostrainer® sink strainer	<input type="checkbox"/> CP	<input type="checkbox"/> Other_____
K-2989	Countertop cutting board	<input type="checkbox"/> NA	

Product Specification

The self-rimming kitchen sink shall be 25" (63.5 cm) in width and 22" (55.9 cm) in length. Sink shall be made of 18 gauge stainless steel. Sink shall be single compartment. Sink shall be 4-hole (-4), 3-hole (-3), or single-hole (-1). Sink shall include installation hardware. Sink shall be Kohler Model K-3300-_____.

RAVINIA™

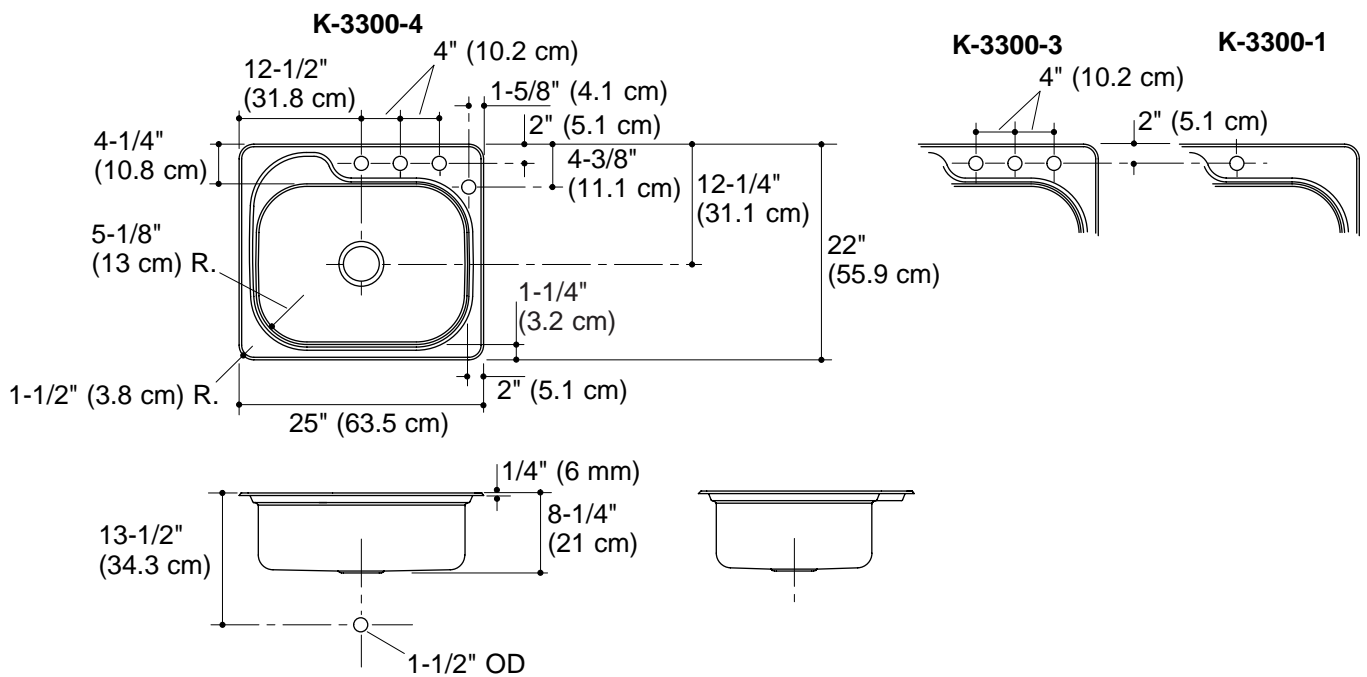
Technical Information

Fixture*:	
Basin area	21" (53.3 cm) x 16" (40.6 cm)
Water depth	7-1/4" (18.4 cm)
Drain hole	3-5/8" (9.2 cm) D.
Faucet holes	1-7/16" (3.7 cm) D.
*Approximate measurements for comparison only.	

Included components:	
Fastener pack	1023180

Installation Notes

Install this product according to the installation guide.
Cutout has 24-1/2" (62.2 cm) x 21-1/2" (54.6 cm) with 1-1/2" (3.8 cm) radius corners.



Product Diagram