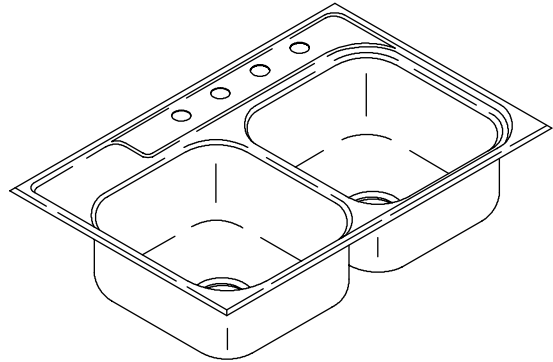


Features

- 19 gauge stainless steel
- Self-rimming
- Double (equal) compartment
- Includes installation hardware
- 4-hole (-4) or 3-hole (-3)
- 33" (83.8 cm) x 22" (55.9 cm)

SELF-RIMMING KITCHEN SINK K-3283



Codes/Standards Applicable

Specified model meets or exceeds the following:

- ASME A112.19.3
- IAPMO/UPC
- CSA B45

Colors/Finishes

- NA: None applicable

Accessories:

- CP: Polished Chrome
- NA: None applicable
- Other: Refer to Price Book for additional colors/finishes

Specified Model

Model	Description	Colors/Finishes	
K-3283-4	4-hole sink	<input type="checkbox"/> NA	
K-3283-3	3-hole sink	<input type="checkbox"/> NA	
Optional Accessories			
K-3293	Hardwood cutting board	<input type="checkbox"/> NA	
K-8801	Duostrainer® sink strainer	<input type="checkbox"/> CP	<input type="checkbox"/> Other_____

Product Specification

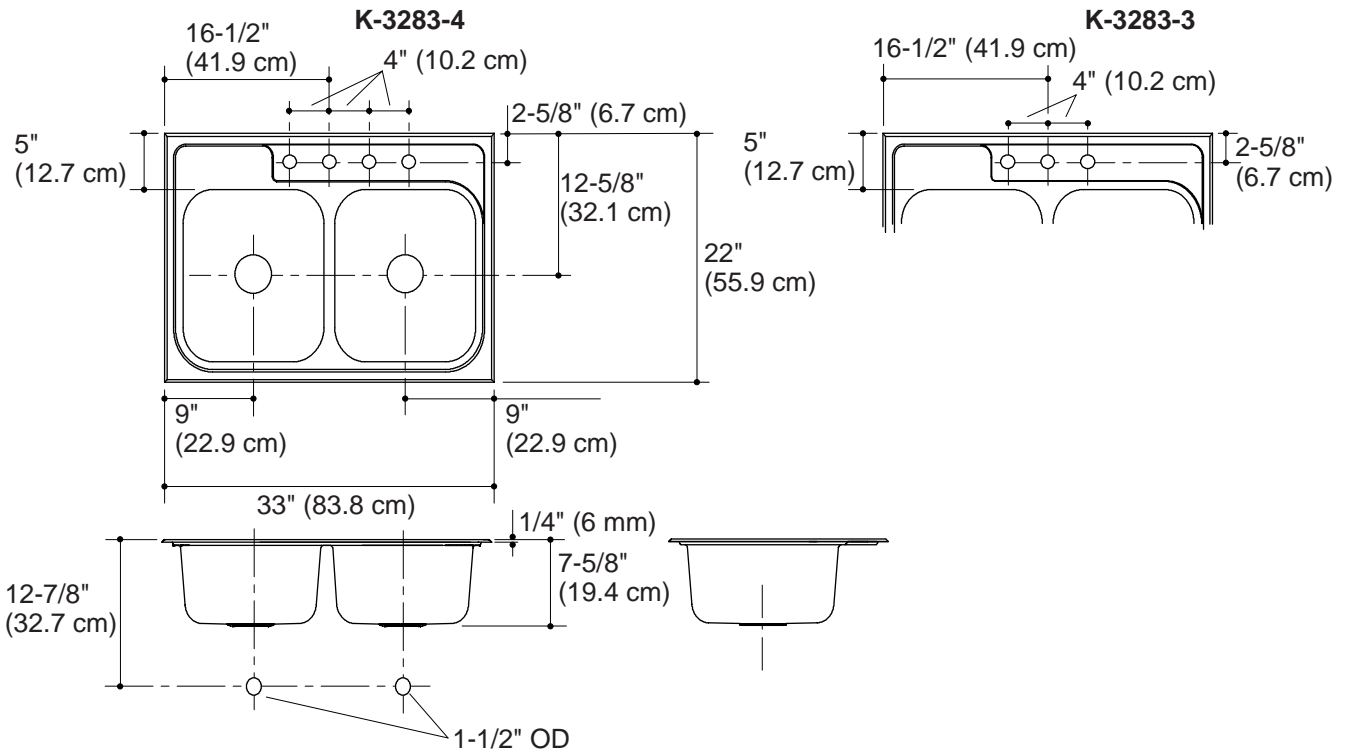
The self-rimming kitchen sink shall be 33" (83.8 cm) in length and 22" (55.9 cm) in width. Sink shall be made of 19 gauge stainless steel. Sink shall be double (equal) compartment. Sink shall be 4-hole (-4) or 3-hole (-3). Sink shall include installation hardware. Sink shall be Kohler Model K-3283-_____.

Technical Information

Fixture*:	
Basin area	14" (35.6 cm) x 15" (38.1 cm)
Water depth	7" (17.8 cm)
Drain holes	3-5/8" (9.2 cm) D.
Faucet holes	1-7/16" (3.7 cm) D.
*Approximate measurements for comparison only.	
Included components:	
Fastener pack	1023180

Installation Notes

Install this product according to the installation guide.
 Cutout is 32-1/2" (82.6 cm) x 21-1/2" (54.6 cm) with 1/2" (1.3 cm) radius corners.



Product Diagram