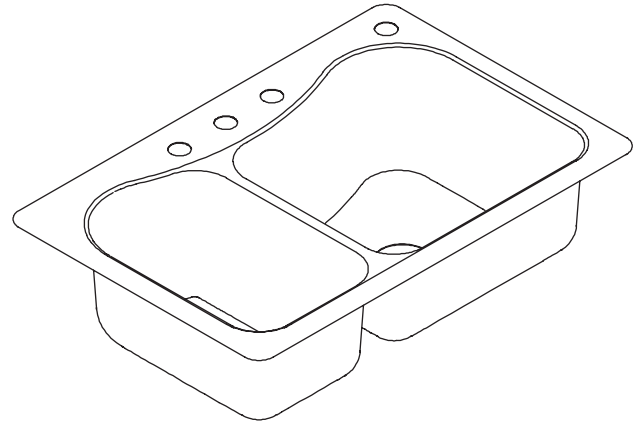


Features

- 18-gauge stainless steel
- Self-rimming
- Double (extra large/medium) compartment
- 4-hole (-4), 3-hole (-3), or single-hole (-1)
- Includes installation hardware
- 33" (83.8 cm) x 22" (55.9 cm)

SELF-RIMMING KITCHEN SINK K-3361



Codes/Standards Applicable

Specified model meets or exceeds the following:

- ASME A112.19.3
- IAPMO/UPC
- CSA International
- CSA B45.0
- CSA 45.4

Colors/Finishes

- NA: None applicable

Accessories:

- CP: Polished Chrome
- 0: White
- NA: None applicable
- Other: Refer to Price Book for additional colors/finishes

Specified Model

Model	Description	Colors/Finishes
K-3361-4	Self-rimming double compartment sink – 4-hole	<input type="checkbox"/> NA
K-3361-3	Self-rimming double compartment sink – 3-hole	<input type="checkbox"/> NA
K-3361-1	Self-rimming double compartment sink – single-hole	<input type="checkbox"/> NA

Optional Accessories						
K-3122	Bottom basin rack (for right basin only)	<input type="checkbox"/> ST				
K-3123	Bottom basin rack (for left basin only)	<input type="checkbox"/> ST				
K-3364	Colander		<input type="checkbox"/> 0			<input type="checkbox"/> Other_____
K-3365	Hardwood cutting board				<input type="checkbox"/> NA	
K-3368	Wire rinse basket (for left basin only)	<input type="checkbox"/> ST				
K-8813	Stainless steel sink strainer			<input type="checkbox"/> CP		<input type="checkbox"/> Other_____

Product Specification:

The self-rimming kitchen sink shall be made of 18-gauge stainless steel. Sink shall be 33" (83.8 cm) in length and 22" (55.9 cm) in width. Sink shall be double (extra large/medium) compartment. Sink shall be 4-hole (K-3361-4), 3-hole (K-3361-3), or single-hole (K-3361-1) faucet punching. Sink shall include installation hardware. Sink shall be Kohler Model K-3361-____-NA.

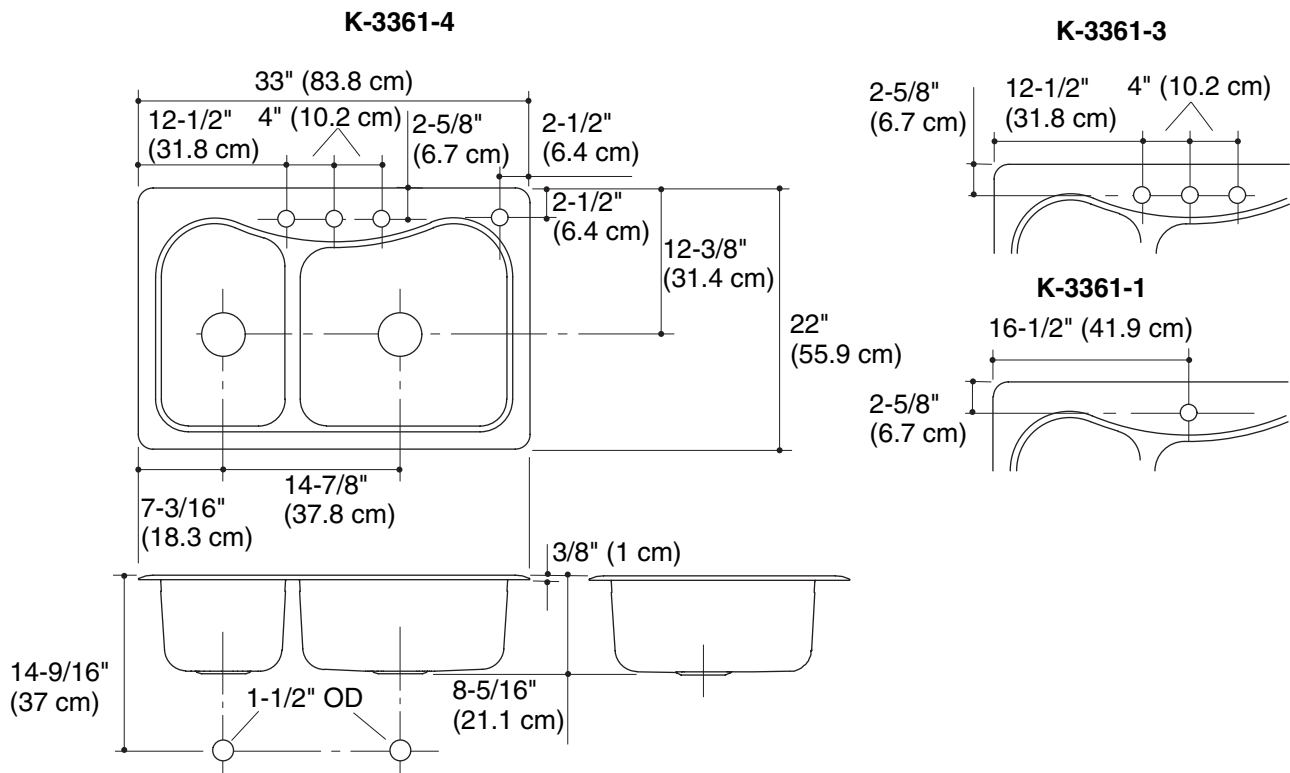
STACCATO™

Technical Information

Fixture*:		
Basin area	left	10-7/16" (26.5 cm) x 17-1/16" (43.3 cm)
	right	17-7/16" (44.3 cm) x 17-1/16" (43.3 cm)
Water depth		8" (20.3 cm)
Drain holes		3-5/8" (9.2 cm) D.
Faucet holes		1-7/16" (3.7 cm) D.
* Approximate measurements for comparison only.		
Cutout	32-1/2" (82.6 cm) x 21-1/2" (54.6 cm) with 1" (2.5 cm) radius corners	

Installation Notes

Install this product according to the installation guide.



Product Diagram