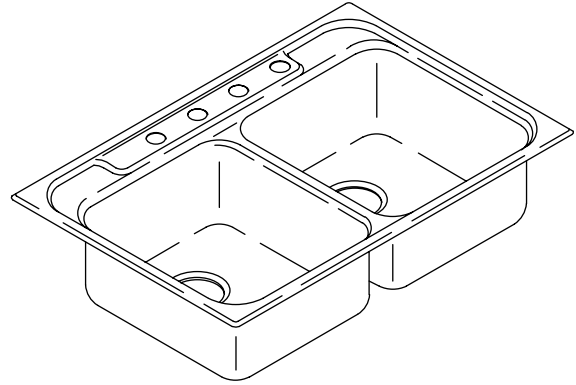


Features

- 18 gauge stainless steel
- Self-rimming
- Double (equal) compartment
- Includes installation hardware
- 4-hole (-4) or 3-hole (-3)
- 33" (83.8 cm) x 22" (55.9 cm)

SELF-RIMMING KITCHEN SINK K-3246



Codes/Standards Applicable

Specified model meets or exceeds the following:

- ASME A112.19.3
- IAPMO/UPC

Colors/Finishes

- NA: None applicable

Accessories:

- CP: Polished Chrome
- 0: White
- NA: None applicable
- Other: Refer to Price Book for additional colors/finishes

Specified Model

Model	Description	Colors/Finishes
K-3246-4	4-hole kitchen sink	<input type="checkbox"/> NA
K-3246-3	3-hole kitchen sink	<input type="checkbox"/> NA

Optional Accessories			
K-3190	Bottom basin rack	<input type="checkbox"/> 0 White	<input type="checkbox"/> Other_____
K-3277	Wire rinse basket	<input type="checkbox"/> 0 White	<input type="checkbox"/> Other_____
K-3294	Hardwood cutting board	<input type="checkbox"/> NA	
K-8801	Duostrainer® sink strainer	<input type="checkbox"/> CP	<input type="checkbox"/> Other_____

Product Specification

The self-rimming kitchen sink shall be 33" (83.8 cm) in length, and 22" (55.9 cm) in width. Sink shall be made of 18 gauge stainless steel. Sink shall be double (equal) compartment. Sink shall be 4-hole (-4) or 3-hole (-3). Sink shall include installation hardware. Sink shall be Kohler Model K-3246-_____.

BALLAD

Technical Information

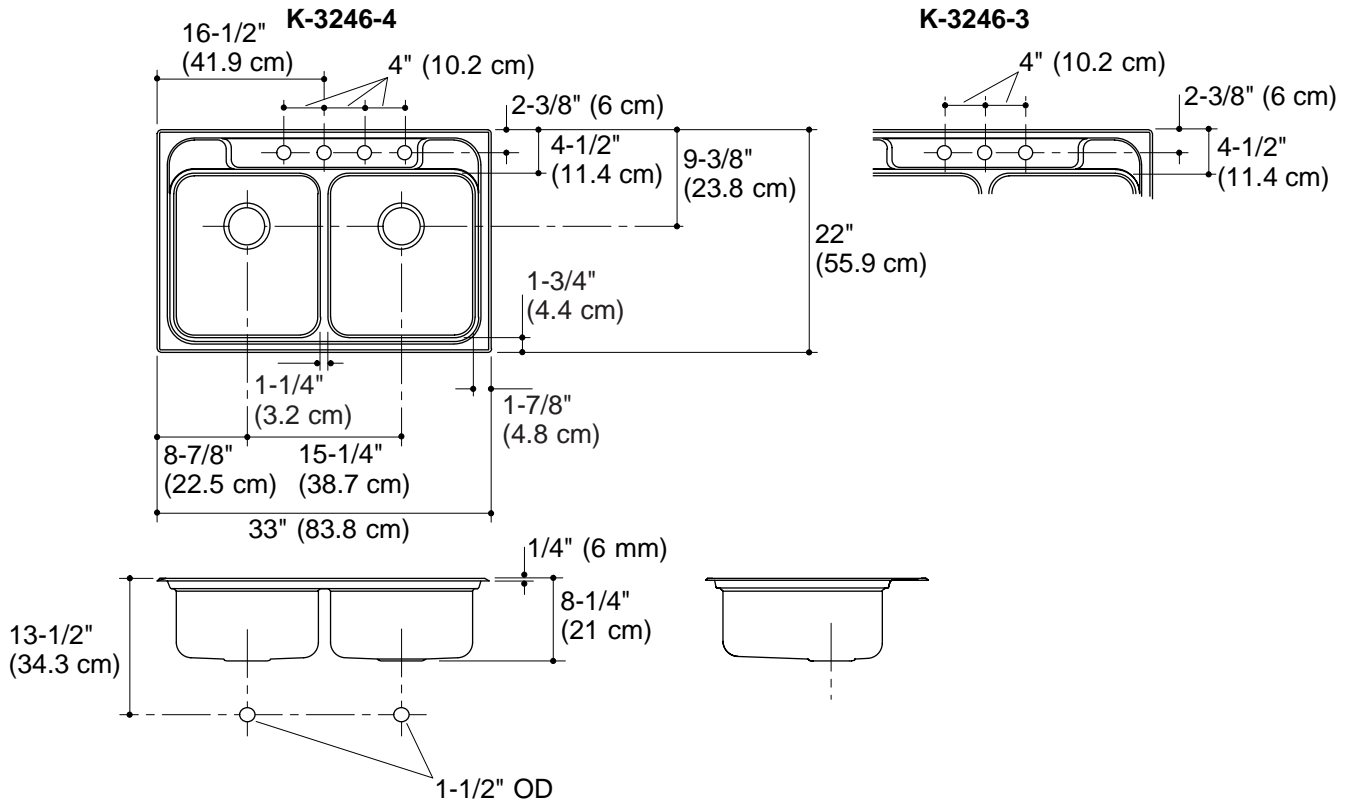
Fixture*:	
Basin areas	13-3/8" (34 cm) x 15-5/8" (39.7 cm)
Water depth	7-1/2" (18.4 cm)
Drain holes	3-5/8" (9.2 cm) D.
Faucet holes	1-7/16" (3.7 cm) D.
*Approximate measurements for comparison only.	

Included components:	
Fastener pack	1023180

Installation Notes

Install this product according to the installation guide.

Cutout should be 32-1/2" (82.6 cm) x 21-1/2" (54.6 cm) with 1/2" (1.3 cm) radius corners.



Product Diagram

BALLAD SELF-RIMMING KITCHEN SINK

Page 2 of 2
111034-4-CB

THE BOLD LOOK
OF **KOHLER**