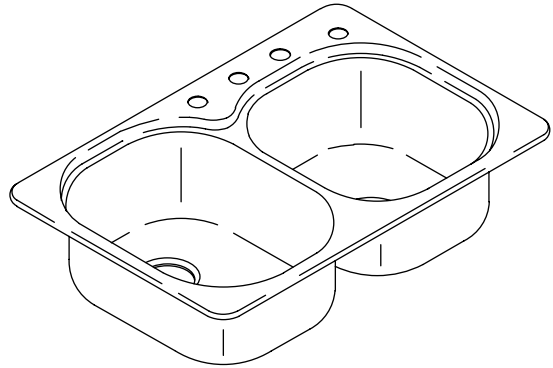


Features

- 18 gauge stainless steel
- Self-rimming
- Double (large/medium) compartment
- Includes installation hardware
- 4-hole (-4), 3-hole (-3), or 2-hole (-2)
- 33" (83.8 cm) x 22" (55.9 cm)

SELF-RIMMING KITCHEN SINK K-3224



Codes/Standards Applicable

Specified model meets or exceeds the following:

- ASME A112.19.3
- IAPMO/UPC
- CSA B45

Colors/Finishes

- NA: None applicable

Accessories:

- CP: Polished Chrome
- 0: White
- NA: None applicable
- Other: Refer to Price Book for additional colors/finishes

Specified Model

Model	Description	Colors/Finishes
K-3224-4	4-hole sink	<input type="checkbox"/> NA
K-3224-3	3-hole sink	<input type="checkbox"/> NA
K-3224-2	2-hole sink	<input type="checkbox"/> NA

Optional Accessories

K-3278	Hardwood cutting board	<input type="checkbox"/> NA	
K-3280	Wire basket (for left basin only)	<input type="checkbox"/> 0 White	<input type="checkbox"/> Other_____
K-3291	Colander (for either basin)	<input type="checkbox"/> 0 White	<input type="checkbox"/> Other_____
K-8801	Duostrainer® sink strainer	<input type="checkbox"/> CP	<input type="checkbox"/> Other_____

Product Specification

The self-rimming kitchen sink shall be 33" (83.8 cm) in length and 22" (55.9 cm) in width. Sink shall be made of 18 gauge stainless steel. Sink shall be a double (large/medium) compartment. Sink shall be 4-hole (-4), 3-hole (-3), or 2-hole (-2). Sink shall include installation hardware. Sink shall be Kohler Model K-3224-_____.

RAVINIA™

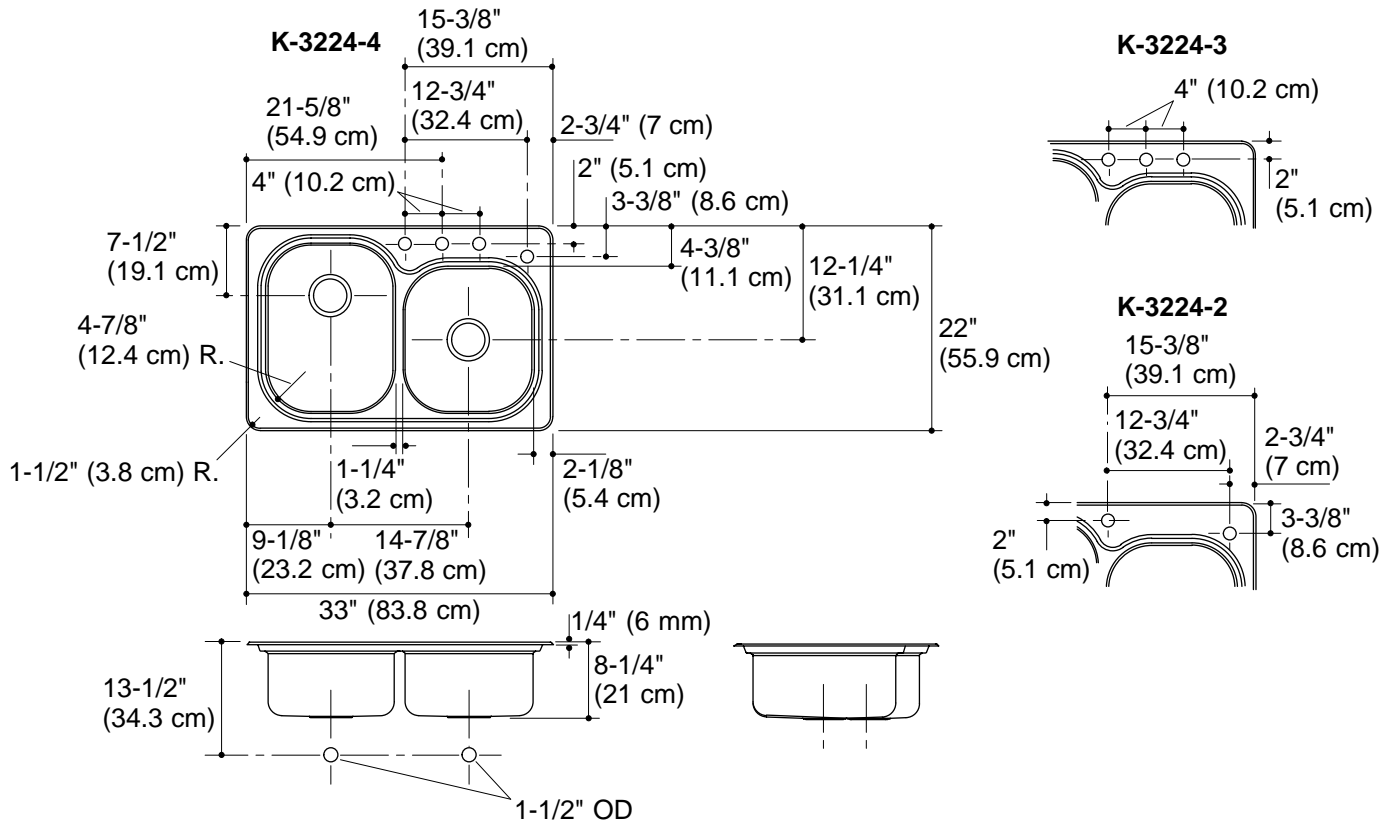
Technical Information

Fixture*:	Basin area	Water depth
Sink, left	14" (35.6 cm) x 18" (45.7 cm)	7-1/4" (18.4 cm)
Sink, right	14" (35.6 cm) x 15" (38.1 cm)	7-1/4" (18.4 cm)
Drain holes	3-5/8" (9.2 cm) D.	
Faucet holes	1-7/16" (3.7 cm) D.	
* Approximate measurements for comparison only.		
Included components:		
Fastener pack	1023180	

Installation Notes

Install this product according to the installation guide.

Cutout has 32-1/2" (82.6 cm) x 21-1/2" (54.6 cm) with 1-1/2" (3.8 cm) radius corners.



Product Diagram