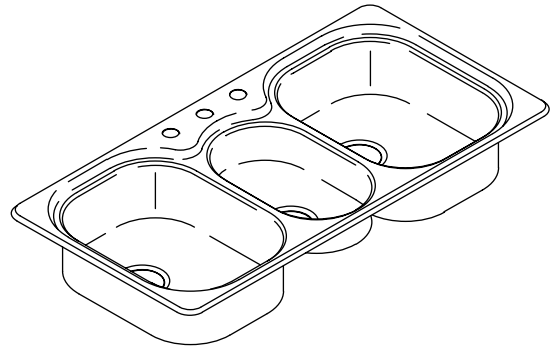


Features

- 18 gauge stainless steel
- Self-rimming
- Triple compartment sink with two equal basins and smaller central disposal basin
- Includes installation hardware
- 5-hole (-5), 3-hole (-3), or single-hole (-1)
- 43-1/2" (110.5 cm) x 22" (55.9 cm)

SELF-RIMMING KITCHEN SINK K-3222



Codes/Standards Applicable

Specified model meets or exceeds the following:

- ASME A112.19.3
- IAPMO/UPC
- CSA B45

Colors/Finishes

- NA: None applicable

Accessories:

- CP: Polished Chrome
- 0: White
- NA: None applicable
- Other: Refer to Price Book for additional colors/finishes

Specified Model

| Model | Description | Colors/Finishes |
|----------|------------------|-----------------------------|
| K-3222-5 | 5-hole sink | <input type="checkbox"/> NA |
| K-3222-3 | 3-hole sink | <input type="checkbox"/> NA |
| K-3222-1 | Single-hole sink | <input type="checkbox"/> NA |

| Optional Accessories | | | |
|----------------------|--|----------------------------------|-------------------------------------|
| K-3278 | Hardwood cutting board (for either large basin) | <input type="checkbox"/> NA | |
| K-3280 | Wire rinse basket (for either large basin) | <input type="checkbox"/> 0 White | <input type="checkbox"/> Other_____ |
| K-3291 | Colander (for either large basin) | <input type="checkbox"/> 0 White | <input type="checkbox"/> Other_____ |
| K-3292 | Hardwood cutting board and colander set (for small disposal basin) | <input type="checkbox"/> 0 White | <input type="checkbox"/> Other_____ |
| K-8801 | Duostrainer® sink strainer | <input type="checkbox"/> CP | <input type="checkbox"/> Other_____ |

Product Specification

The self-rimming kitchen sink shall be 43-1/2" (110.5 cm) in length and 22" (55.9 cm) in width. Sink shall be made of 18 gauge stainless steel. Sink shall be triple compartment with two equal basins and one smaller center disposal basin. Sink shall be 5-hole (-5), 3-hole (-3), or single-hole (-1). Sink shall include installation hardware. Sink shall be Kohler Model K-3222-_____.

Technical Information

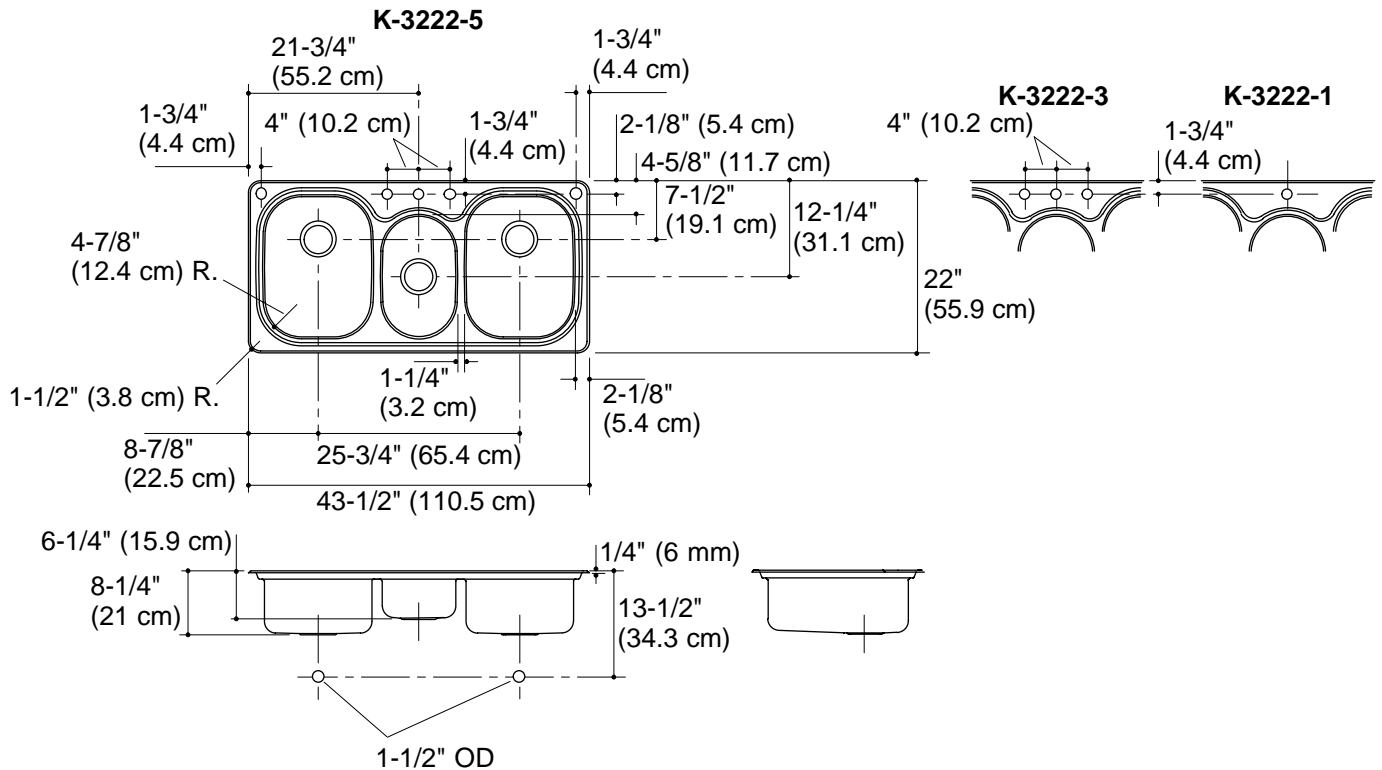
| Fixture*: | Basin area | Water depth |
|---|----------------------------------|------------------|
| Sinks | 14" (35.6 cm) x 18" (45.7 cm) | 7-1/4" (18.4 cm) |
| Disposal | 9" (22.9 cm) x 15" (38.1 cm) | 5-1/4" (13.3 cm) |
| Drain holes | 3-5/8" (9.2 cm) D. | |
| Faucet holes | 1-7/16" (3.7 cm) D. | |
| * Approximate measurements for comparison only. | | |

| Included components: | |
|----------------------|---------|
| Fastener pack | 1023180 |

Installation Notes

Install this product according to the installation guide.

Cutout is 43" (109.2 cm) x 21" (53.3 cm) with 1-1/2" (3.8 cm) radius corners.



Product Diagram