

UNDERCOUNTER SINK K-3186

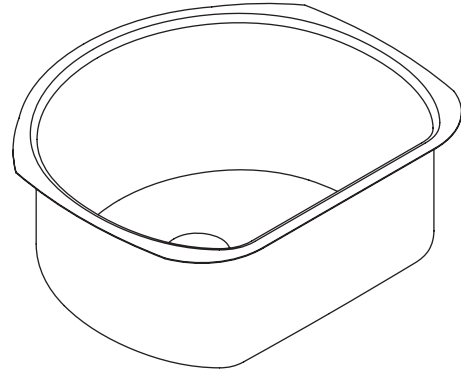
Features

- 18 gauge stainless steel
- Undercounter
- Single compartment
- Includes installation hardware
- 19" (48.3 cm) x 22" (56 cm)

Codes/Standards Applicable

Specified model meets or exceeds the following:

- IAPMO/UPC
- ASME A112.19.3
- CSA B45



Colors/Finishes

- NA: None applicable

Accessories:

- CP: Polished Chrome
- 0: White
- Other: Refer to Price Book for additional colors/finishes

Specified Model

Model	Description	Colors/Finishes
K-3186	Undercounter sink	<input type="checkbox"/> NA
Optional Accessories		
K-8801	Duostrainer® sink strainer	<input type="checkbox"/> CP <input type="checkbox"/> Other _____

Product Specification:

The undercounter sink shall be 19" (48.3 cm) in length and 22" (56 cm) in width. Sink shall be made of 18 gauge stainless steel. Sink shall be single compartment. Sink shall include installation hardware. Sink shall be Kohler Model K-3186-_____.

UNDERTONE™

Technical Information

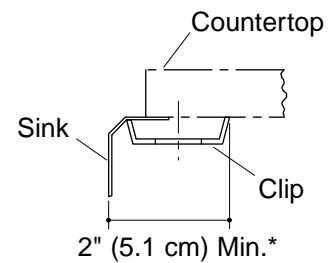
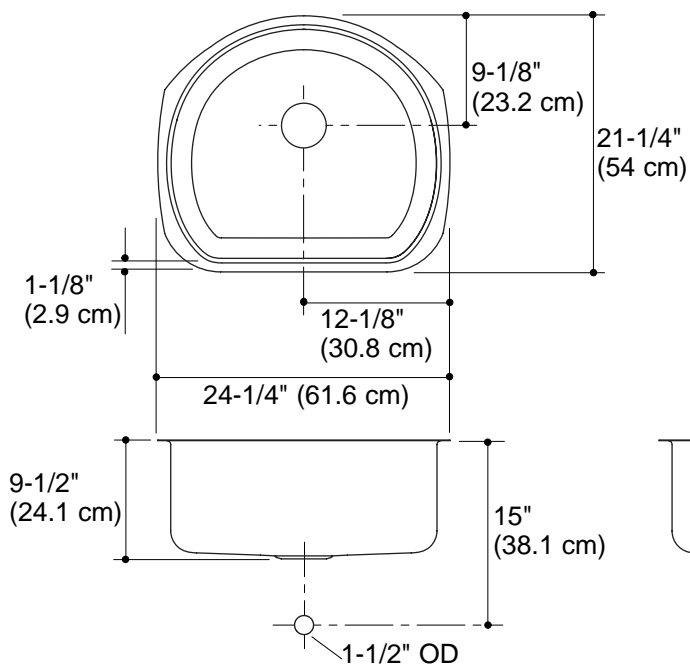
Fixture:*	basin area	water depth
Sink	19" (48.39 cm) x 22" (56 cm)	9-1/2" (24.1 cm)
Drain Hole	3-5/8" D. (9.2 cm)	

* Approximate measurements for comparison only.

Included Components:	
Hardware kit (4 required)	91915
Cutout template	1040321-7

Installation Notes

Install this product according to the installation guide.



* Allow clearance around sink rim for clip attachment.

Product Diagram