

KOHLER® Roughing-In

K-3147
UNDERTONE™
UNDERCOUNTER SINK

Product Information

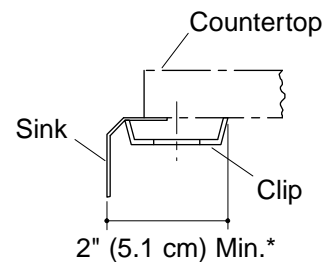
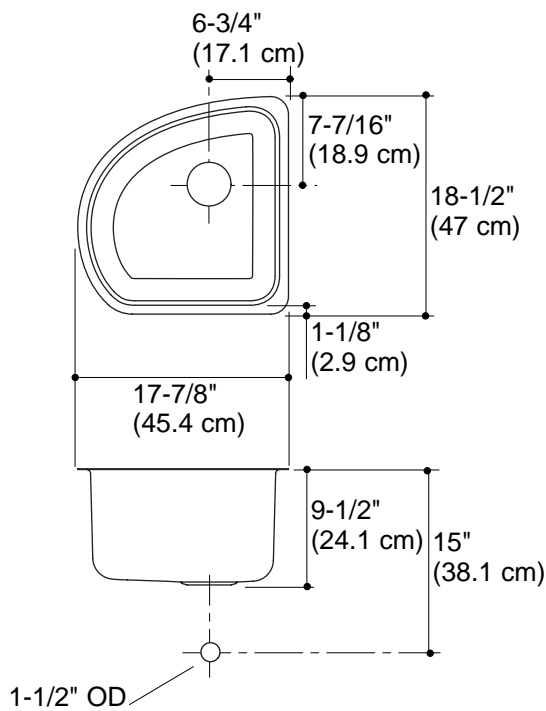
| Fixture:* | basin area | water depth |
|---|--|---------------------|
| Sink | 16-1/8" (41 cm) x 15-5/8" (39.7 cm) | 9-1/2" (24.1 cm) |
| Drain hole | 3-5/8" D. (9.2 cm) | |
| * Approximate measurements for comparison only. | | |

| Included Components: | |
|---------------------------|-----------|
| Hardware kit (2 required) | 91915 |
| Cutout template | 1040318-7 |

Installation Notes

Install this product according to the installation guide.

Fixture tolerances are nominal and conform to tolerances in ASME Standard A112.19.3.



* Allow clearance around sink rim for clip attachment.