

### UNDERCOUNTER SINK K-3147

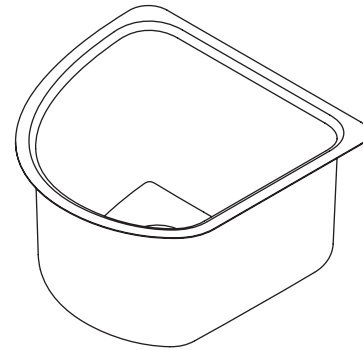
#### Features

- 18 gauge stainless steel
- Undercounter
- Single compartment
- Includes installation hardware
- 16-1/8" (41 cm) x 15-5/8" (39.7 cm)

#### Codes/Standards Applicable

Specified model meets or exceeds the following:

- IAPMO/UPC
- ASME A112.19.3
- CSA B45



#### Colors/Finishes

- NA: None applicable

#### Accessories:

- CP: Polished Chrome
- 0: White
- Other: Refer to Price Book for additional colors/finishes

#### Specified Model

Model	Description	Colors/Finishes	
K-3147	Undercounter sink	<input type="checkbox"/> NA	
Optional Accessories			
K-8801	Duostrainer® sink strainer	<input type="checkbox"/> CP	<input type="checkbox"/> Other _____

#### Product Specification:

The undercounter sink shall be 16-1/8" (41 cm) in length and 15-5/8" (39.7 cm) in width. Sink shall be made of 18 gauge stainless steel. Sink shall be single compartment. Sink shall include installation hardware. Sink shall be Kohler Model K-3147-\_\_\_\_\_.

# UNDERTONE™

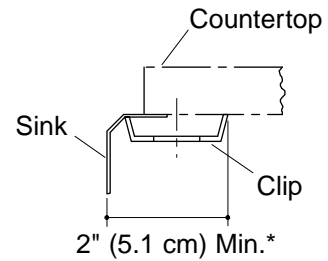
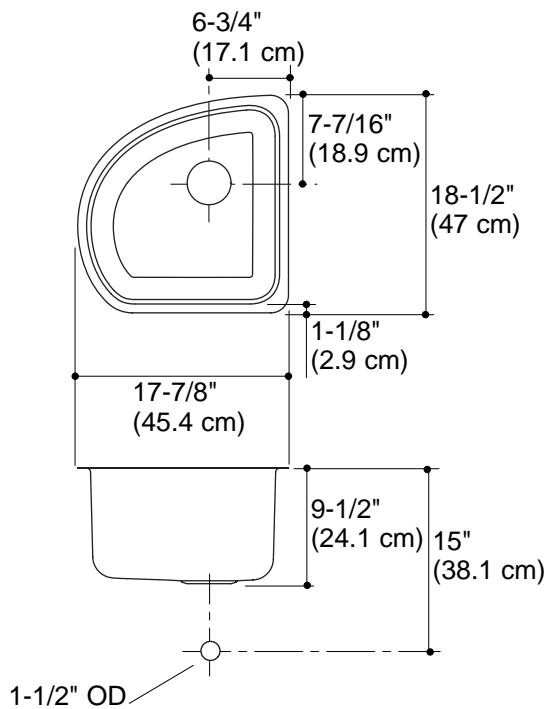
## Technical Information

Fixture:*	basin area	water depth
Sink	16-1/8" (41 cm) x 15-5/8" (39.7 cm)	9-1/2" (24.1 cm)
Drain hole	3-5/8" D. (9.2 cm)	
* Approximate measurements for comparison only.		

Included Components:	
Hardware kit (2 required)	91915
Cutout template	1040318-7

## Installation Notes

Install this product according to the installation guide.



\* Allow clearance around sink rim for clip attachment.

## Product Diagram