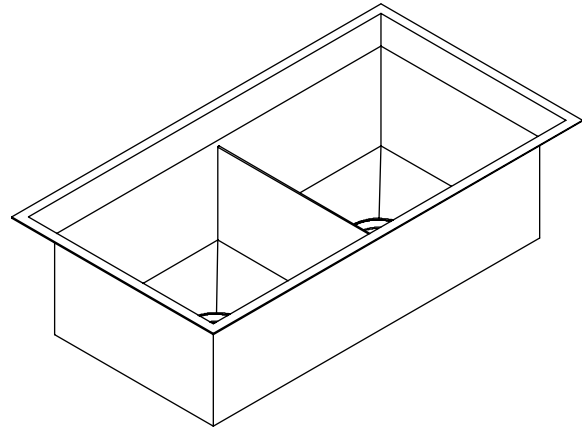


Features

- 16 gauge stainless steel
- Mirror finished rim (-H)
- Undercounter
- Double (equal) compartment
- Includes cutting board and bottom basin rack
- Includes installation hardware
- 29" (73.7 cm) x 14" (35.6 cm)

UNDERCOUNTER SINK K-3159



Codes/Standards Applicable

Specified model meets or exceeds the following:

- ASME A112.19.3
- IAPMO/UPC
- CSA B45

Colors/Finishes

- NA: None applicable

Accessories:

- CP: Polished Chrome
- ST: Stainless Steel
- Other: Refer to Price Book for additional colors/finishes

Specified Model

Model	Description	Colors/Finishes	
K-3159 (ships as K-3388)	Undercounter sink	<input type="checkbox"/> NA	
K-3159-H (ships as K-3388-H)	Undercounter sink with mirror finished rim	<input type="checkbox"/> NA	
Included Accessories			
K-3140	Bamboo cutting board	<input type="checkbox"/> NA	
K-3142	Bottom basin rack (for either basin)	<input type="checkbox"/> ST	
Optional Accessories			
K-2989	Countertop cutting board	<input type="checkbox"/> NA	
K-8801	Duostrainer® sink strainer	<input type="checkbox"/> CP	<input type="checkbox"/> Other _____

Product Specification

The undercounter sink shall be 29" (73.7 cm) in length and 14" (35.6 cm) in width, and 9-1/2" (24.1 cm) in depth. Sink shall be made of 16 gauge stainless steel. Sink shall have mirror finished rim (-H). Sink shall be double (equal) compartment. Sink shall include cutting board, bottom basin rack, and installation hardware. Sink shall be Kohler Model K-3159-_____.

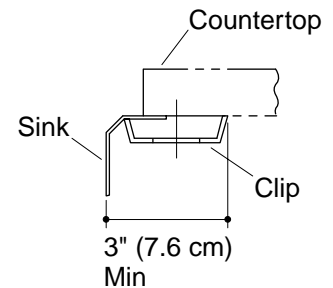
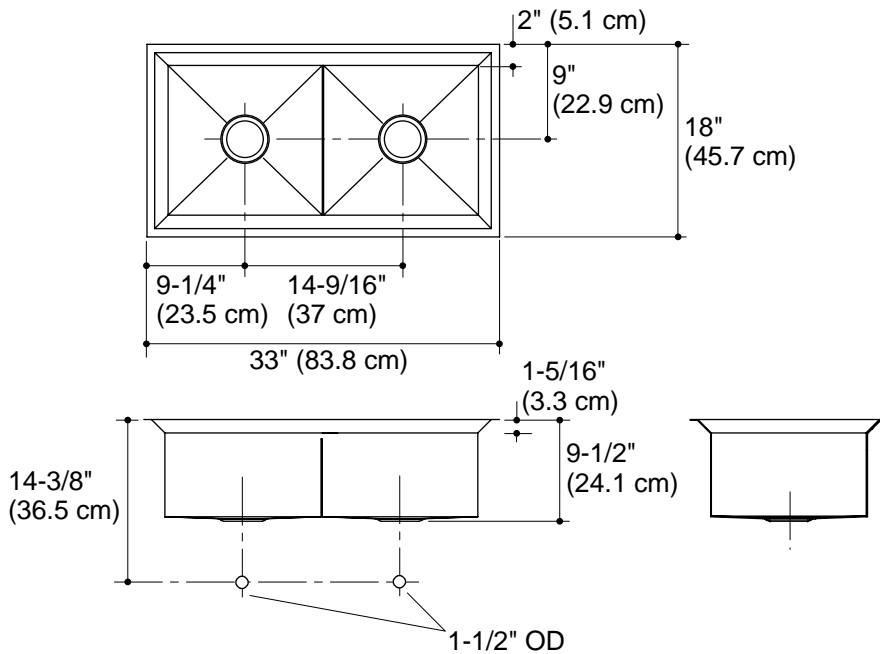
Technical Information

Fixture*:	Basin area	Water depth
Sink, left	14-7/16" (36.7 cm) x 14" (35.6 cm)	9-3/16" (23.3 cm)
Sink, right	14-7/16" (36.7 cm) x 14" (35.6 cm)	9-3/16" (23.3 cm)
Drain holes	3-5/8" (9.2 cm) D.	
* Approximate measurements for comparison only.		
Included components:		
Hardware kit	91915	
Cut-out template	1021992-7	

Installation Notes

Install this product according to the installation guide.

Allow a minimum of 3" (7.6 cm) clearance around the sink rim for clip attachment.



Product Diagram