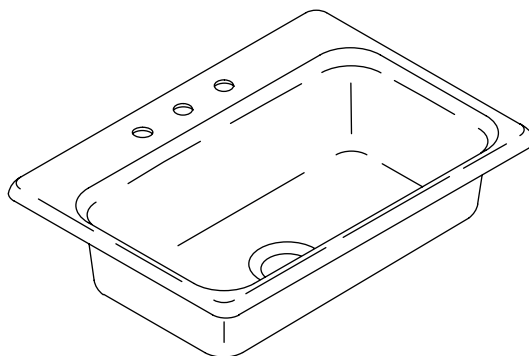


### Features

- KOHLER cast iron
- Acid-resistant enamel finish
- Self-rimming
- Single compartment
- 3-hole (-3) or 4-hole (-4)
- 31" (78.7 cm) x 22" (55.9 cm)

### SELF-RIMMING KITCHEN SINK K-5832



### Codes/Standards Applicable

Specified model meets or exceeds the following:

- ASME A112.19.1M
- IAPMO/UPC

### Colors/Finishes

- 0: White
- Other: Refer to Price Book for additional colors/finishes

### Accessories:

- 0: White
- CP: Polished Chrome
- Other: Refer to Price Book for additional colors/finishes

### Specified Model

Model	Description	Colors/Finishes	
K-5832-3	3-hole sink	<input type="checkbox"/> 0	<input type="checkbox"/> Other_____
K-5832-4	4-hole sink	<input type="checkbox"/> 0	<input type="checkbox"/> Other_____

Recommended Accessories			
K-9000	P-Trap	<input type="checkbox"/> CP	

Optional Accessories			
K-5836	Polyethylene cutting board	<input type="checkbox"/> 0	
K-6517	Bottom basin rack	<input type="checkbox"/> 0	<input type="checkbox"/> Other_____
K-8801	Duostrainer® sink strainer	<input type="checkbox"/> CP	<input type="checkbox"/> Other_____

### Product Specification

The kitchen sink shall be made of cast iron with acid-resistant enamel finish. Sink shall be self-rimming. Sink shall be single compartment. Sink shall be 3-hole (-3) or 4-hole (-4). Sink shall be 31" (78.7 cm) in length and 22" (55.9 cm) in width. Sink shall be Kohler Model K-5832-\_\_\_\_\_-\_\_\_\_\_.

# BAKERSFIELD™

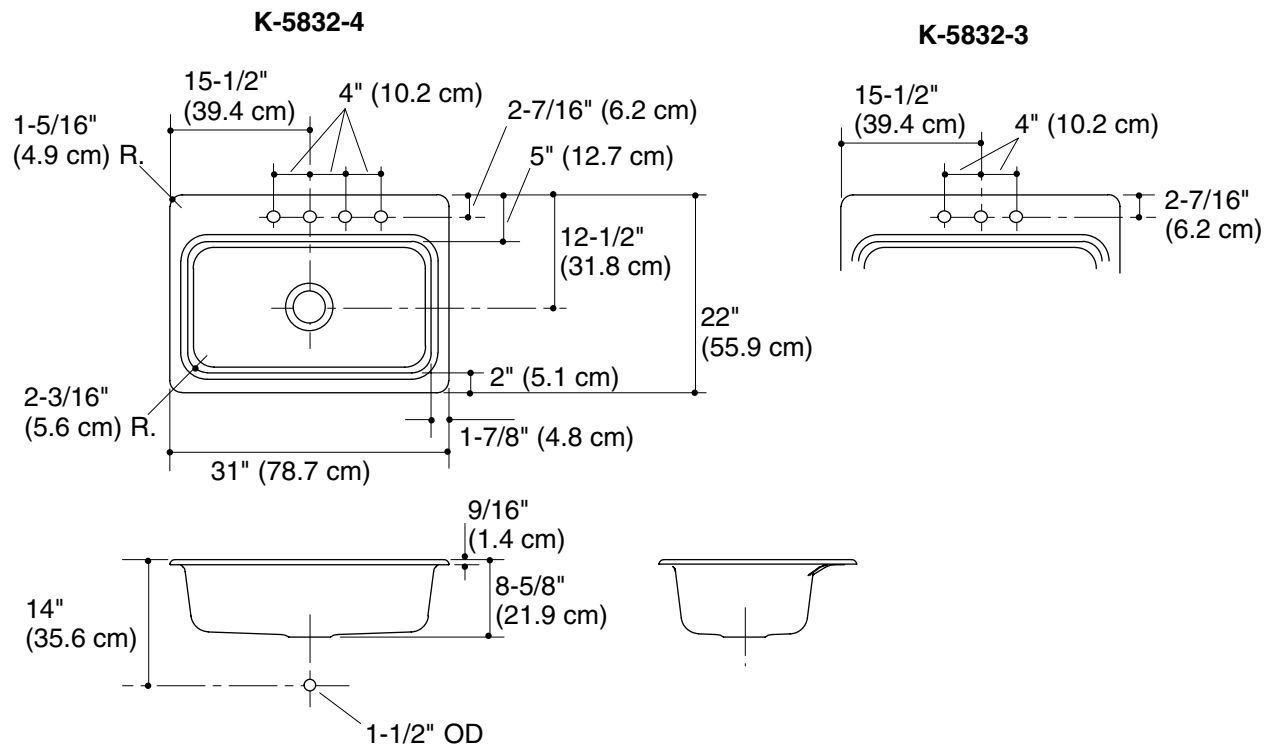
## Technical Information

Fixture*:	
Basin area	27" (68.6 cm) x 15" (38.1 cm)
Water depth	8" (20.3 cm)
Drain hole	3-5/8" (9.2 cm) D.
Faucet holes	1-3/8" (3.5 cm) D.
* Approximate measurements for comparison only.	

## Installation Notes

Install this product according to the installation guide.

Cutout is 29-3/4" (75.6 cm) by 20-3/4" (52.7 cm) with 1" (2.5 cm) radius corners.



## Product Diagram

BAKERSFIELD™ SELF-RIMMING KITCHEN SINK

Page 2 of 2  
113986-4-BB

THE BOLD LOOK  
OF **KOHLER**®