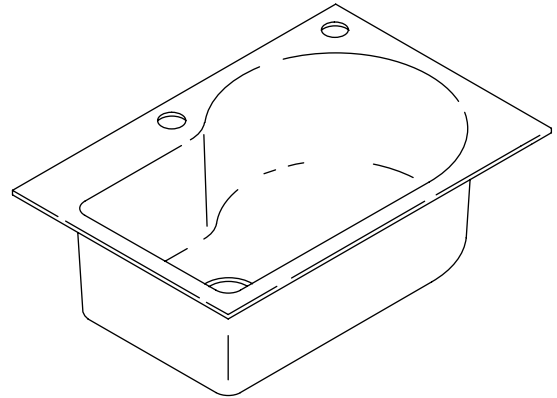


### Features

- KOHLER cast iron
- Acid-resistant enamel finish
- Undercounter
- Single compartment
- 2-hole
- Undermount sink kit 23" (58.4) included
- 33" (83.8 cm) x 22" (55.9 cm)

### UNDERCOUNTER KITCHEN SINK K-5986-2U



### Codes/Standards Applicable

Specified model meets or exceeds the following:

- ASME A112.19.1M
- IAPMO/UPC
- State of Massachusetts

### Colors/Finishes

- 0: White
- Other: Refer to Price Book for additional colors/finishes

### Accessories:

- CP: Polished Chrome
- 0: White
- NA: None applicable
- Other: Refer to Price Book for additional colors/finishes

### Specified Model

Model	Description	Colors/Finishes	
K-5986-2U	2-hole sink with undermount sink kit 23" (58.4 cm)	<input type="checkbox"/> 0 White	<input type="checkbox"/> Other _____
<b>Recommended Accessories</b>			
K-9000	P-Trap	<input type="checkbox"/> CP	
<b>Optional Accessories</b>			
K-6512	Hardwood cutting board (for left side of sink compartment)	<input type="checkbox"/> NA	
K-6556	Entertainer™ accessory tray (for right side of sink compartment)	<input type="checkbox"/> NA	
K-6006	Bottom basin rack	<input type="checkbox"/> 0 White	<input type="checkbox"/> Other _____
K-8801	Duostrainer® sink strainer	<input type="checkbox"/> CP	<input type="checkbox"/> Other _____
K-5807	Undermount sink kit, 36" (91.4 cm)	<input type="checkbox"/> NA	

### Product Specification:

The undercounter mount sink shall be 33" (83.8 cm) in length, and 22" (55.9 cm) in width. Sink shall be made of cast iron with acid resistant enamel finish. Sink shall be single compartment. Sink shall be 2-hole drilled (oversized). Sink shall include 23" (58.4 cm) undermount sink kit. Sink shall be Kohler Model K-5986-2U-\_\_\_\_\_.

# ENTRÉE™

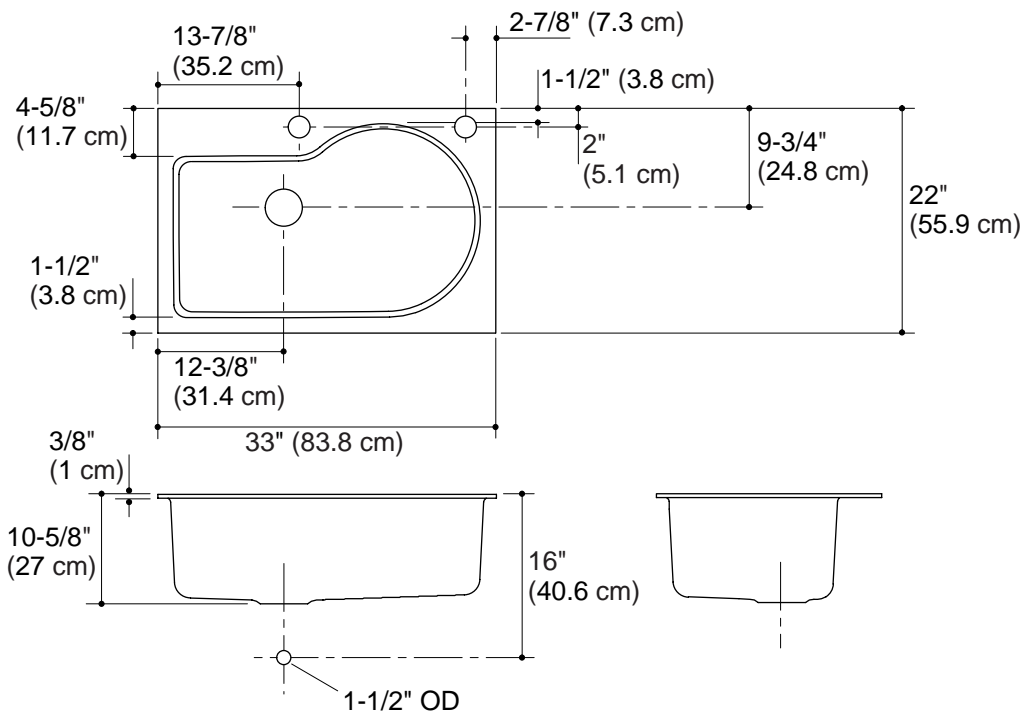
## Technical Information

Fixture*:	Basin area	Water depth
Sink	30" (76.2 cm) x 19" (48.3 cm)	10" (25.4 cm)
Drain holes	3-5/8" (9.2 cm) D.	
Faucet holes	2-3/8" (6 cm) D.	
* Approximate measurements for comparison only.		

Included components:	
Cut-out template	112679-7
Undermount sink kit 23" (58.4 cm)	1054375

## Installation Notes

Install this product according to the installation guide.



## Product Diagram