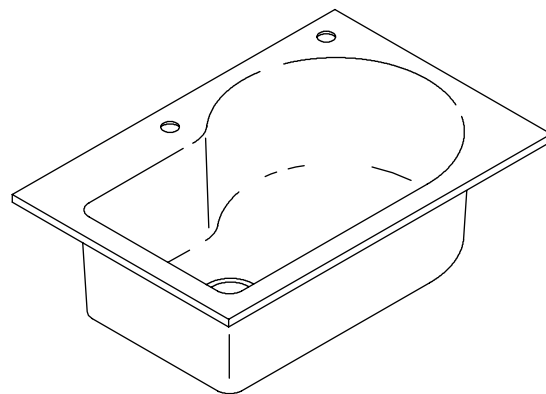


Features

- KOHLER cast iron
- Acid-resistant enamel finish
- Tile-in
- Single compartment
- 2-hole (-2) or 5-hole (-5)
- 33" (83.8 cm) x 22" (55.9 cm)

TILE-IN KITCHEN SINK K-5986



Codes/Standards Applicable

Specified model meets or exceeds the following:

- ASME A112.19.1M
- IAPMO/UPC

Colors/Finishes

- 0: White
- Other: Refer to Price Book for additional colors/finishes

Accessories:

- CP: Polished Chrome
- NA: None applicable
- Other: Refer to Price Book for additional colors/finishes

Specified Model

Model	Description	Colors/Finishes	
K-5986-2	2-hole sink	<input type="checkbox"/> 0	<input type="checkbox"/> Other_____
K-5986-5	5-hole sink	<input type="checkbox"/> 0	<input type="checkbox"/> Other_____

Recommended Accessories			
K-9000	P-Trap	<input type="checkbox"/> CP	

Optional Accessories			
K-6006	Bottom basin rack	<input type="checkbox"/> 0	<input type="checkbox"/> Other_____
K-6512	Hardwood cutting board (fits left side of sink compartment)	<input type="checkbox"/> NA	
K-6556	Entertainer™ accessory tray (fits right side of sink compartment)	<input type="checkbox"/> NA	
K-8801	Duostrainer® sink strainer	<input type="checkbox"/> CP	<input type="checkbox"/> Other_____

Product Specification

The kitchen sink shall be made of cast iron with acid-resistant enamel finish. Sink shall be tile-in with a single compartment. Sink shall be 2-hole (-2) or 5-hole (-5). Sink shall be 33" (83.8 cm) in length and 22" (55.9 cm) in width. Sink shall be Kohler Model K-5986-_____-_____.

ENTRÉE™

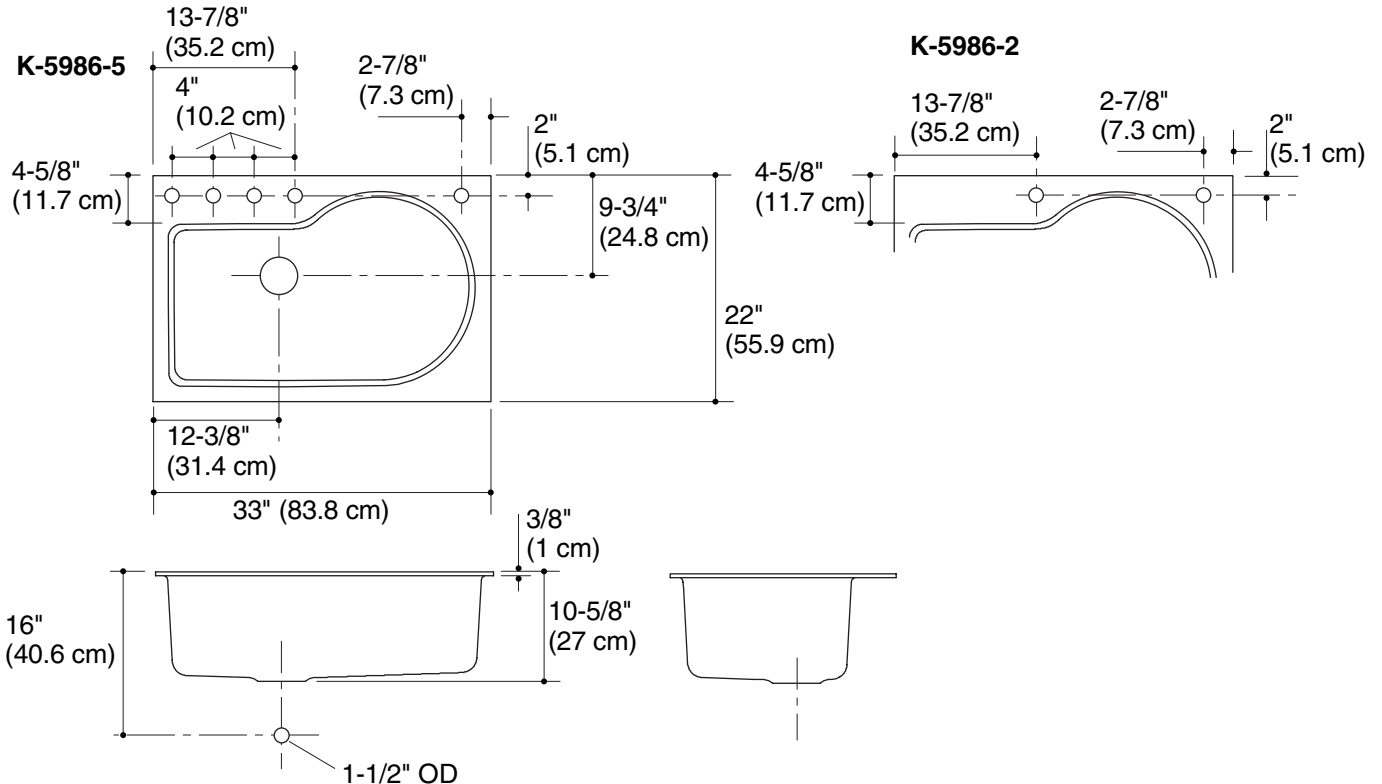
Technical Information

Fixture*:	
Basin area	30" (76.2 cm) x 19" (48.3 cm)
Water depth	10" (25.4 cm)
Drain hole	3-5/8" (9.2 cm) D.
Faucet holes	1-3/8" (3.5 cm) D.
* Approximate measurements for comparison only.	

Installation Notes

Install this product according to the installation guide.

Cutout is 31-7/8" (81 cm) by 20-3/4" (52.7 cm) with 1-1/2" (3.8 cm) radius corners.



Product Diagram

ENTRÉE™ TILE-IN KITCHEN SINK

Page 2 of 2
112567-4-BC

THE BOLD LOOK
OF **KOHLER**®