

### Features

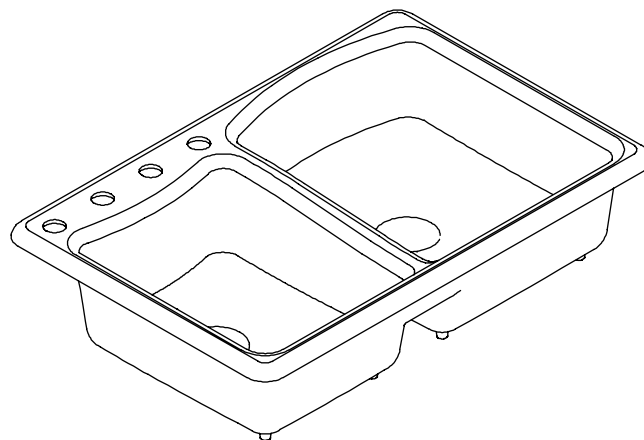
- KOHLER cast iron
- Acid-resistant enamel finish
- Self-rimming
- Double (large/medium) compartment
- 4-hole (-4) or 3-hole (-3)
- 33" (83.8 cm) x 22" (55.9 cm)

### Codes/Standards Applicable

Specified model meets or exceeds the following:

- ASME A112.19.1M
- IAPMO/UPC
- CSA B45

## SELF-RIMMING KITCHEN SINK K-5809



### Colors/Finishes

- 0: White
- Other: Refer to Price Book for additional colors/finishes

### Accessories:

- 0: White
- CP: Polished Chrome
- NA: None applicable
- Other: Refer to Price Book for additional colors/finishes

### Specified Model

Model	Description	Colors/Finishes	
K-5809-4	4-hole sink	<input type="checkbox"/> 0	<input type="checkbox"/> Other _____
K-5809-3	3-hole sink	<input type="checkbox"/> 0	<input type="checkbox"/> Other _____

Recommended Accessories			
K-9000	P-Trap	<input type="checkbox"/> CP	

Optional Accessories			
K-6038	Bottom basin rack (for right basin only)	<input type="checkbox"/> 0	<input type="checkbox"/> Other _____
K-6612	Cutting board (for left basin only)	<input type="checkbox"/> NA	
K-6621	Bottom basin rack (for left basin only)	<input type="checkbox"/> 0	<input type="checkbox"/> Other _____
K-8801	Duostrainer® sink strainer	<input type="checkbox"/> CP	<input type="checkbox"/> Other _____

### Product Specification

The kitchen sink shall be made of cast iron with acid-resistant enamel finish. Sink shall be self-rimming with double (large/medium) compartments. Sink shall be 4-hole (-4) or 3-hole (-3). Sink shall be 33" (83.8 cm) in length and 22" (55.9 cm) in width. Sink shall be Kohler Model K-5809-\_\_\_\_\_-\_\_\_\_\_.

# ASHLAND™

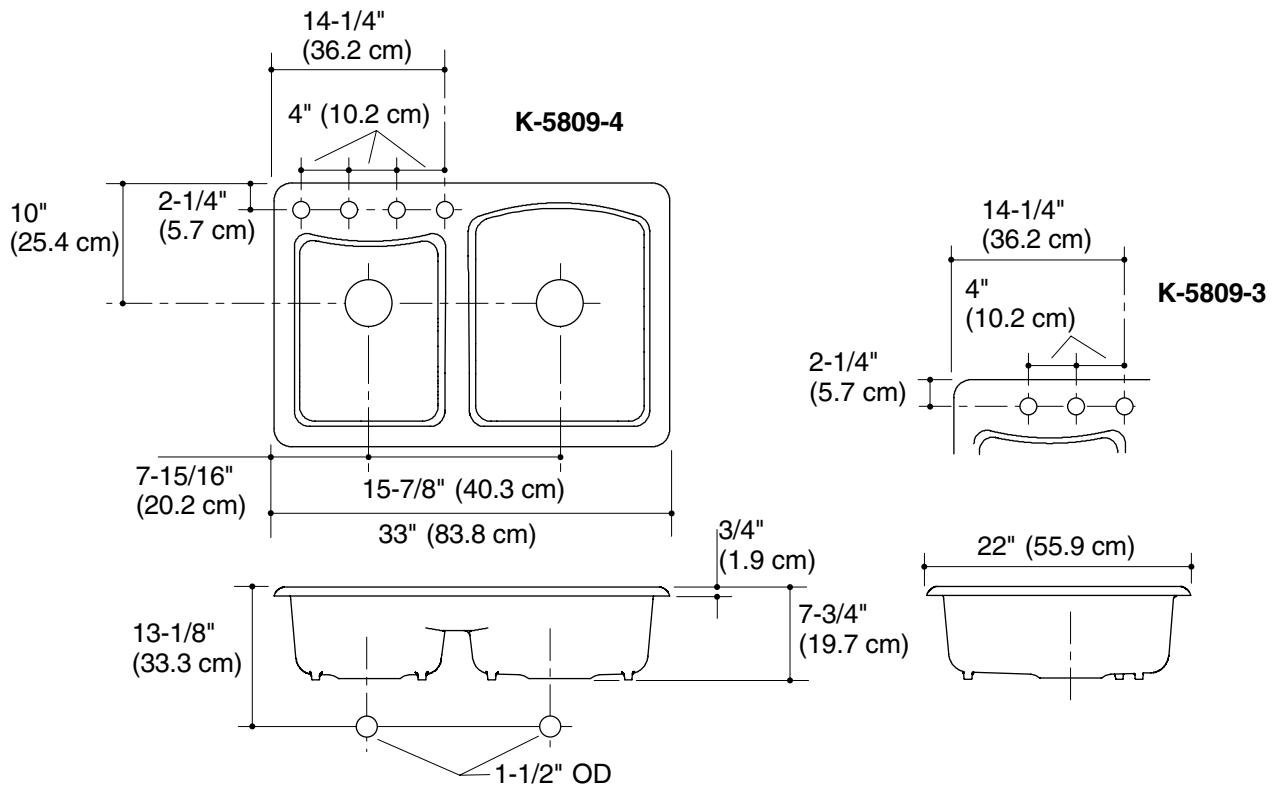
## Technical Information

Fixture*:	
Basin area, large	15-1/4" (38.7 cm) x 18-3/4" (47.6 cm)
Water depth, large	7" (17.8 cm)
Basin area, medium	12-3/4" (32.4 cm) x 15-5/8" (39.7 cm)
Water depth, medium	7" (17.8 cm)
Drain holes	3-5/8" (9.2 cm) D.
Faucet holes	1-3/8" (3.5 cm) D.
* Approximate measurements for comparison only.	

## Installation Notes

Install this product according to the installation guide.

Cutout is 31-7/8" (81 cm) by 20-3/4" (52.7 cm) with 1-1/2" (3.8 cm) radius corners.



## Product Diagram

ASHLAND™ SELF-RIMMING KITCHEN SINK

Page 2 of 2  
1015029-4-C

THE BOLD LOOK  
OF **KOHLER**®