

### Features

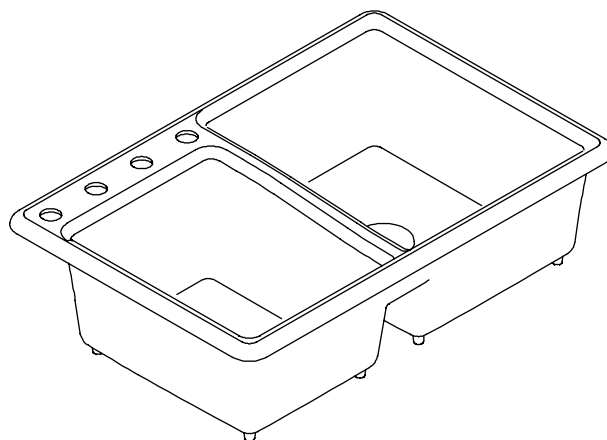
- KOHLER cast iron
- Acid-resistant enamel finish
- Self-rimming
- Double (large/medium) compartment
- 4-hole (-4) or 3-hole (-3)
- 33" (83.8 cm) x 22" (55.9 cm)

### Codes/Standards Applicable

Specified model meets or exceeds the following:

- ASME A112.19.1M

## SELF-RIMMING KITCHEN SINK K-5813



### Colors/Finishes

- 0: White
- Other: Refer to Price Book for additional colors/finishes

### Accessories:

- CP: Polished Chrome
- ST: Stainless Steel
- NA: None applicable
- Other: Refer to Price Book for additional colors/finishes

### Specified Model

Model	Description	Colors/Finishes	
K-5813-4	4-hole sink	<input type="checkbox"/> 0	<input type="checkbox"/> Other_____
K-5813-3	3-hole sink	<input type="checkbox"/> 0	<input type="checkbox"/> Other_____

Recommended Accessories			
K-9000	P-Trap	<input type="checkbox"/> CP	

Optional Accessories			
K-6056	Bottom basin rack (for left basin only)	<input type="checkbox"/> ST	
K-6057	Bottom basin rack (for right basin only)	<input type="checkbox"/> ST	
K-6622	Hardwood cutting board and colander set (for left basin only)	<input type="checkbox"/> NA	
K-8801	Duostrainer® sink strainer	<input type="checkbox"/> CP	<input type="checkbox"/> Other_____

### Product Specification

The kitchen sink shall be made of cast iron with acid-resistant enamel finish. The sink shall be self-rimming with double (large/medium) compartments. Sink shall be 4-hole (-4) or 3-hole (-3). Sink shall be 33" (83.8 cm) in length and 22" (55.9 cm) in width. Sink shall be Kohler Model K-5813-\_\_\_\_\_-\_\_\_\_\_.

# CLARITY™

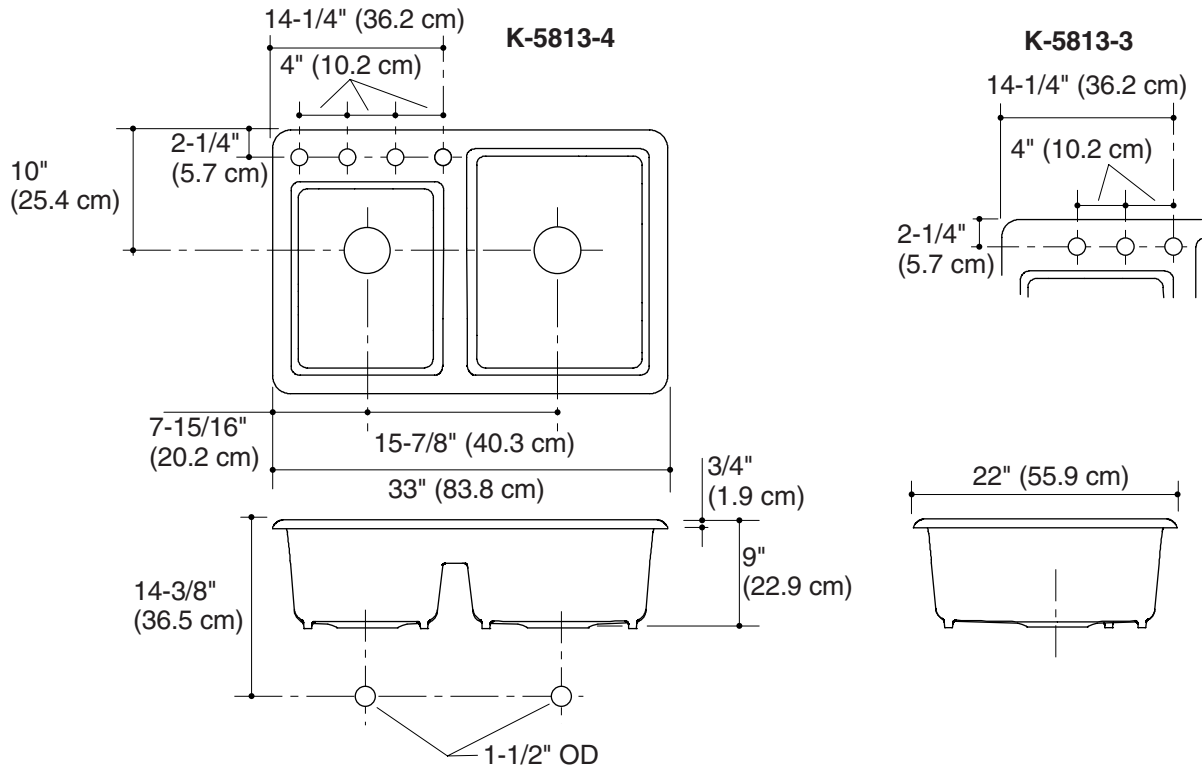
## Technical Information

Fixture*:	
Large basin area	15-3/8" (39.1 cm) x 19" (48.3 cm)
Water depth	8-3/8" (21.3 cm)
Medium basin area	12-7/8" (32.7 cm) x 16-1/4" (41.3 cm)
Water depth	8-3/8" (21.3 cm)
Drain holes	3-5/8" (9.2 cm) D.
Faucet holes	1-3/8" (3.5 cm) D.
* Approximate measurements for comparison only.	

## Installation Notes

Install this product according to the installation guide.

Cutout is 31-7/8" (81 cm) by 20-3/4" (52.7 cm) with 1-1/2" (3.8 cm) radius corners.



## Product Diagram