

TILE-IN KITCHEN SINK K-5852

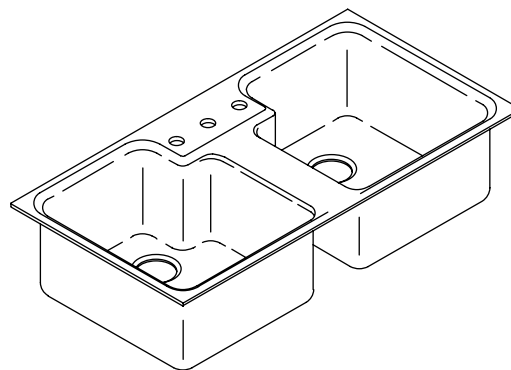
Features

- KOHLER cast iron
- Acid-resistant enamel finish
- Tile-in
- Double (equal) compartment
- 3-hole (-3) or single-hole (-1)
- 43" (109.2 cm) x 22" (55.9 cm)

Codes/Standards Applicable

Specified model meets or exceeds the following:

- ASME A112.19.1M
- IAPMO/UPC
- CSA B45



Colors/Finishes

- 0: White
- Other: Refer to Price Book for additional colors/finishes

Accessories:

- 0: White
- CP: Polished Chrome
- NA: None applicable
- Other: Refer to Price Book for additional colors/finishes

Specified Model

Model	Description	Colors/Finishes	
K-5852-3	3-hole sink	<input type="checkbox"/> 0	<input type="checkbox"/> Other _____
K-5852-1	Single-hole sink	<input type="checkbox"/> 0	<input type="checkbox"/> Other _____

Recommended Accessories			
K-9000	P-Trap	<input type="checkbox"/> CP	

Optional Accessories			
K-5859	Saddle cover and polypropylene colander	<input type="checkbox"/> 0	<input type="checkbox"/> Other _____
K-5917	Cutting board	<input type="checkbox"/> NA	
K-8801	Duostrainer® sink strainer	<input type="checkbox"/> CP	<input type="checkbox"/> Other _____

Product Specification:

The kitchen sink shall be made of cast iron with an acid-resistant enamel finish. The sink shall be tile-in with double (equal) compartments. Sink shall be 3-hole (-3) or single-hole (-1). Sink shall be 43" (109.2 cm) in length and 22" (55.9 cm) in width. Sink shall be Kohler Model K-5852-_____-_____.

CANTINA™

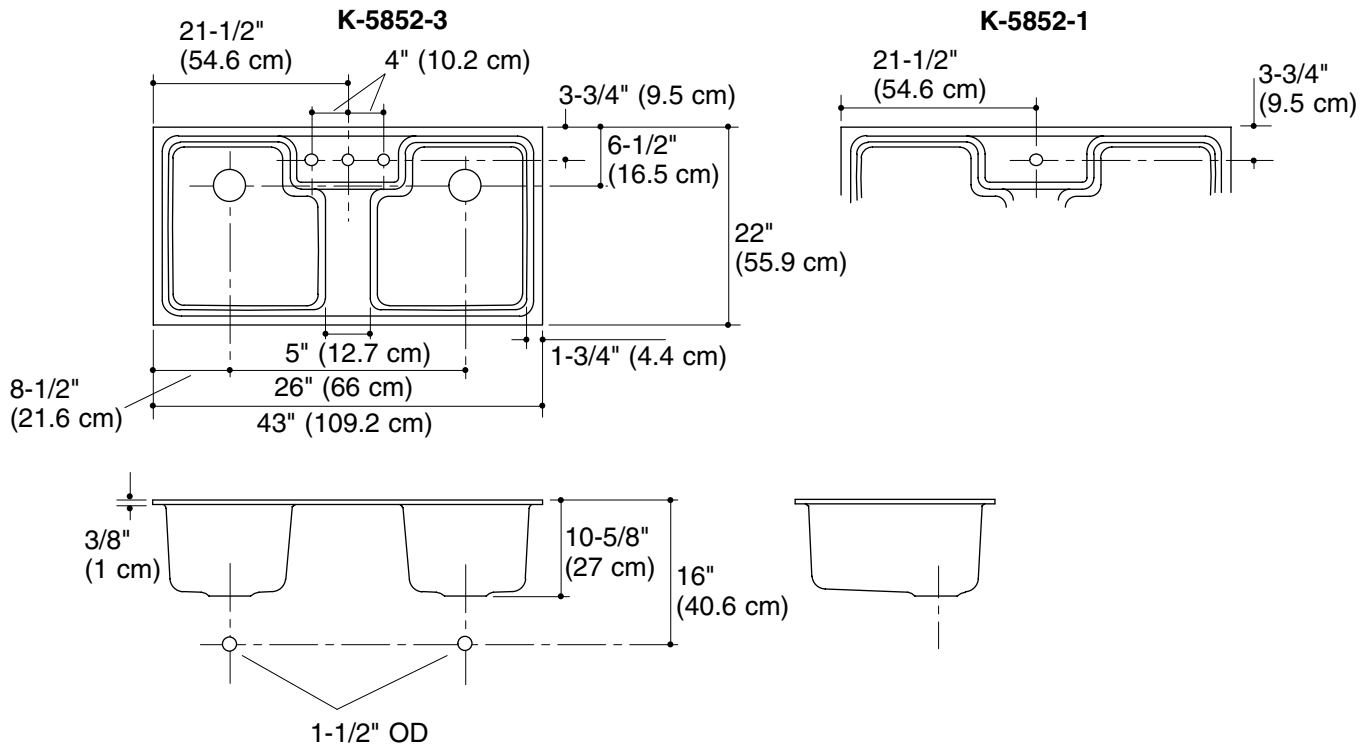
Technical Information

Fixture*:	
Basin area	17" (43.2 cm) x 19" (48.3 cm)
Water depth	9" (22.9 cm)
Drain holes	3-5/8" (9.2 cm) D.
Faucet holes	1-3/8" (3.5 cm) D.
* Approximate measurements for comparison only.	

Installation Notes

Install this product according to the installation guide.

Cutout is 41-3/4" (37.5 cm) by 20-3/4" (52.7 cm) with 1" (2.5 cm) radius corners.



Product Diagram

CANTINA™ TILE-IN KITCHEN SINK

Page 2 of 2
113652-4-BB

THE BOLD LOOK
OF **KOHLER**®