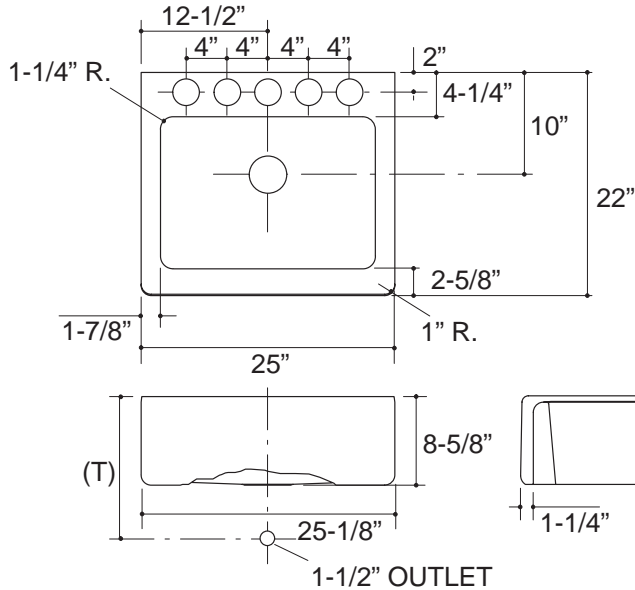
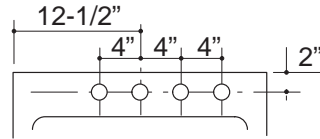


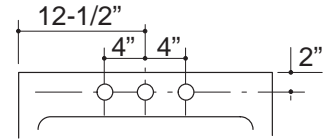
K-6573-5U



K-6573-4



K-6573-3



.85<116

BEFORE YOU BEGIN

Please leave these instructions with the consumer as they contain important care, cleaning, and maintenance information.

SPECIFICATIONS

Fixture dimensions are nominal and conform to tolerances by ASME Standard A112.19.9M.

Outlet 3-7/8" Dia.

Faucet holes, undercounter 2-1/2" Dia.

Faucet holes, tile-in 1-3/8" Dia.

(T) Drain typically = 14".

BASIN SIZE

Side To Side	Front To Back	Depth
21"	15"	8"

NOTES

Please read these instructions before you begin.

CAUTION: Risk of poor installation. Proper selection of tile is critical; Kohler recommends tile 3/8" thick.

Because of the variance in tile thickness and other properties, provide a sample of the tile to your carpenter, tiler, plumber, and any other contractor involved in the project. Because of the variety of tiles available, take careful measurements prior to installation. It is very important that all contractors discuss the requirements of the project with each other.

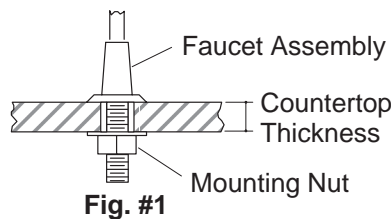
- Due to the variety of installations possible with these sinks, installation may require procedures other than those described in these instructions.
- The cabinet and frame shown in these instructions are generic and may not represent actual design or structure.
- Due to the special nature of this installation, Kohler Co. recommends that an experienced cabinet maker build the new cabinet or modify an existing cabinet for this sink.
- To insure proper sink fit in the cabinet and support frame, Kohler recommends providing the cabinet maker with the actual sink to be installed.
- Prior to installation, unpack new sink and carefully inspect for damage.
- To prevent damage, place the sink back into its original packing carton until ready for installation.
- All information in these instructions is based on the latest product information available at the time of publication. Kohler Co. reserves the right to make changes in product characteristics, packaging, or availability at any time without notice.

TOOLS & MATERIALS REQUIRED

- Variable speed drill
- Support frame members
- 1/2" dia. drill bit
- Saber or keyhole saw
- 1-3/8" dia. hole saw
- Ruler and pencil
- Sanding block
- Sealant (furnished)
- Sandpaper (asst. grits)
- Safety glasses
- Orbital sander (optional)
- New faucet (optional)

UNDERCOUNTER INSTALLATION FAUCET CHECK

1. Check to see if the faucet can be completely assembled on the countertop being used. Measure the countertop thickness and the available shank length between the base of the faucet assembly and the mounting nut. If it can, proceed with the installation. (If it cannot, select another faucet or thinner countertop.) **See Fig. #1.**



CABINET/SUPPORT FRAME CONSTRUCTION

1. **See Fig. #2.** Measure the actual size of the kitchen sink, including apron (bottom of the apron is approximately 1/8" wider than the top). The cabinet opening should equal the maximum sink/apron dimensions to ensure a minimum gap between the sink apron and the cabinet. Reference the chart in **Fig. #2** to determine the cabinet opening height. The sink dimensions shown on the cover of these instructions are for reference only.

NOTE: If sink is not available at time of installation, make allowances to add wood filler strips/spacers to the cabinet opening after cabinet is installed and before sink is installed.

INSTALLATION TYPE	DIMENSION "H"
Undercounter	Max. Apron Height
Tile-in	Maximum Apron Height Less Underlayment and Tile Thickness
Solid Surface	Max. Apron Height

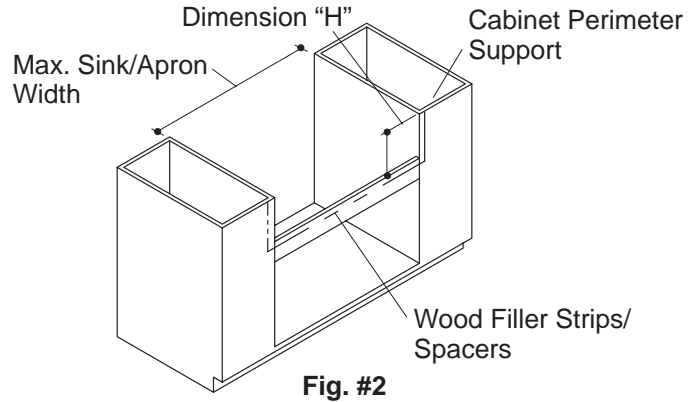


Fig. #2

2. **See Fig. #3.** Before proceeding, determine if the sink will be flush with or extend slightly beyond the front of the cabinet. The sink may extend beyond the face of the cabinet 1-1/4" maximum.

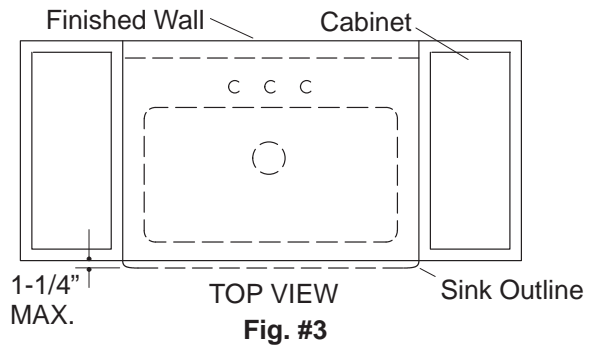


Fig. #3

3. **See Fig. #4.** Construct a wood support and frame to fit inside the cabinet opening. Allow adequate clearance for water supply lines between support and finished wall. Locate and cut out drain outlet clearance hole in support. Location of this hole depends upon sink location determined in Step 2.

CAUTION: Risk of personal injury or product damage. The wood support and frame for the sink must sufficiently support 300 pounds (approximate weight of the fireclay sink when full and a garbage disposal installed).

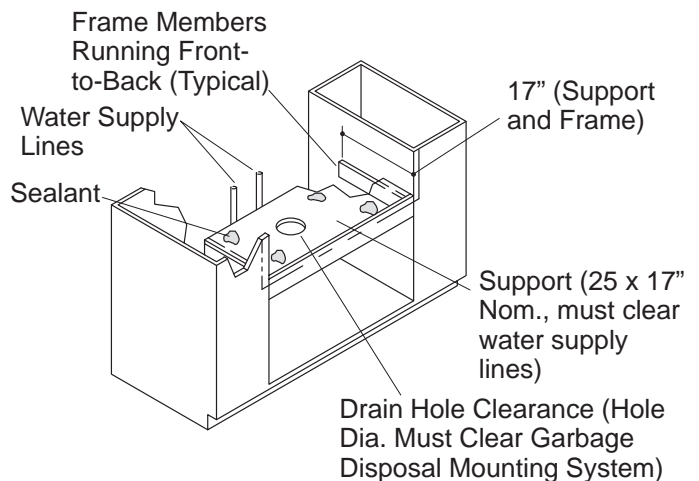
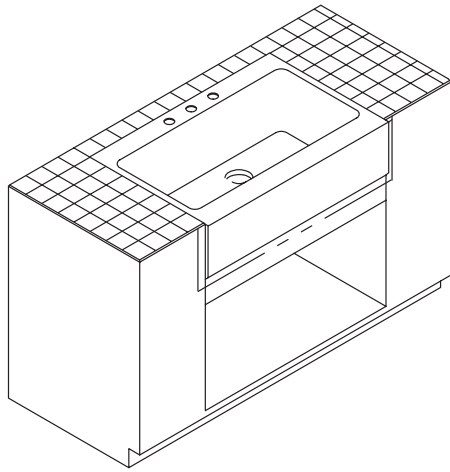


Fig. #4

TILE-IN SINK



Tile-in

Fig. #5

SUPPORT/FRAME INSTALLATION

CAUTION: Risk of product damage. Tile backer board placed over plywood is the recommended underlayment for installing this sink. Tile should be bonded to the backer board with dry set or Latex Portland mortar.

Consult the tile contractor to determine the types of material to be used.

Acceptable underlayments include the following:

- Tile backer board over 3/4" exterior grade plywood
- 3/4" exterior grade plywood

Do not use the following materials:

- Flakeboard
- Interior grade plywood
- Gypsum wallboard

1. See Fig. #6. The rim thickness on the sink is 5/8" plus or minus 1/32". The sink is designed for installation flush with or slightly lower than the surrounding tile. Install support/frame accordingly, or make allowance to shim the sink as required by varying thickness of the tile, sink height, and choice of adhesive or mortar bed installation.

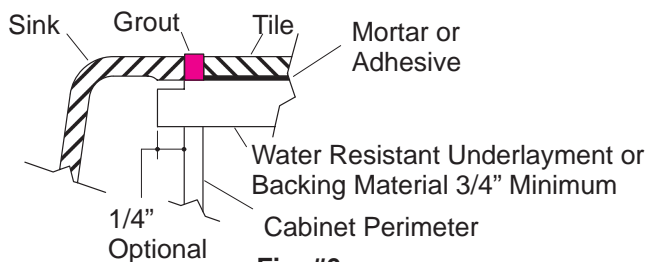


Fig. #6

2. Position support/frame as determined in Step 1. Before securing, see support/frame caution. Also, position support/frame installation hardware to allow for easy ac-

cess in case the sink needs to be removed or replaced. Ensure that support/frame installation hardware will not penetrate outside of cabinet.

3. See Fig. #6. Install underlayment. Underlayment cut-out may be slightly smaller than sink opening, but **must not** support sink.

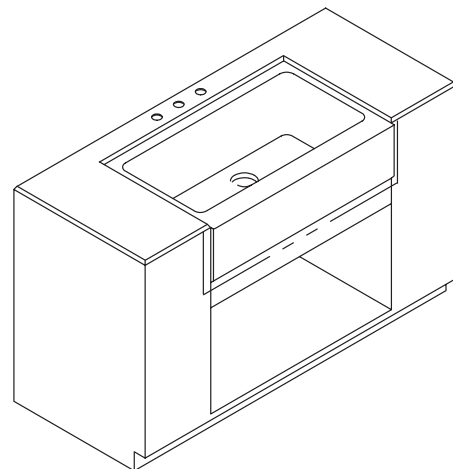
TILE-IN SINK INSTALLATION

4. Measure sink apron and cabinet opening to make sure sink apron will fit into cabinet opening. If necessary, sand opening or add wood filler strips.
5. Assemble faucet according to manufacturer's instructions.
6. See Fig. #4. Place a thin layer of sealant (provided) at each corner of the support where it will contact the sink.
7. Gently position sink within the frame, locating sink in center of sink cabinet.

NOTE: Apply additional sealant if using shims.

8. Assemble strainer or garbage disposal to sink according to manufacturer's instructions.
9. Placing sealant between apron and cabinet is optional.

UNDERCOUNTER SINK



Undercounter

Fig. #7

SUPPORT/FRAME INSTALLATION

1. Position frame. Before securing frame, see preceding support caution. Also, position frame installation hardware to allow for easy access in case the sink needs to be removed or replaced. Ensure that frame installation hardware will not penetrate outside of cabinet.
2. Install support frame so that the top of sink rim (when placed within the frame) is level and flush with top surface of cabinet perimeter support or underlayment at the cut-out area. Secure frame to cabinet. See Fig. #8.

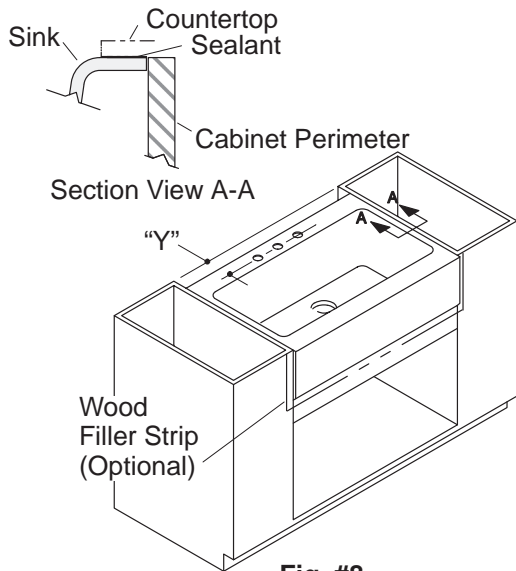


Fig. #8

UNDERCOUNTER SINK INSTALLATION

3. Measure sink apron and cabinet opening to make sure sink apron will fit into cabinet opening. If necessary, sand opening or add wood filler strips.
4. Assemble faucet according to manufacturer's instructions.
5. **See Fig. #4.** Place a thin layer of sealant (provided) at each corner of the support where it will contact the sink.
6. Gently position sink within the frame, locating sink in center of sink cabinet.
7. **See Fig. #8.** Make sure the sink rim is level and flush with the cabinet perimeter. Adjust or shim between sink and support if needed to obtain proper fit. Top of sink rim must be flush with top of cabinet perimeter in order to obtain proper contact with the underside of the countertop.

NOTE: Apply additional sealant if using shims.

8. Assemble strainer or garbage disposal to sink according to manufacturer's instructions.
9. Using sealant between apron and cabinet is optional.

CUT-OUT POSITIONING

10. **See Fig. #9.** Due to the various cut-out sizes possible, no template is supplied. If using the K-5984 cutting board, the minimum cut-out length is 22-3/4".
11. Carefully measure the countertop to determine the exact location of the cut-out.
12. **See Fig. #8.** Measure the distance from finished wall to the center of sink faucet holes (Dim. "Y"). This dimension will be used to locate the faucet hole centerline and back edge of the cut-out on the countertop. Make sure

the sink is positioned to provide adequate clearance between faucet and backsplash, finished wall, or support frame. This will ensure full faucet operation when installed.

13. **See Fig. #9.** From back edge of countertop, locate the dimension from finished wall to center of faucet holes (Dim. "Y") and draw the centerline. Add 1-1/2" to the faucet hole centerline to locate the back edge of the cut-out. Trace the cut-out opening on the countertop using a soft lead pencil. Locate the faucet holes.

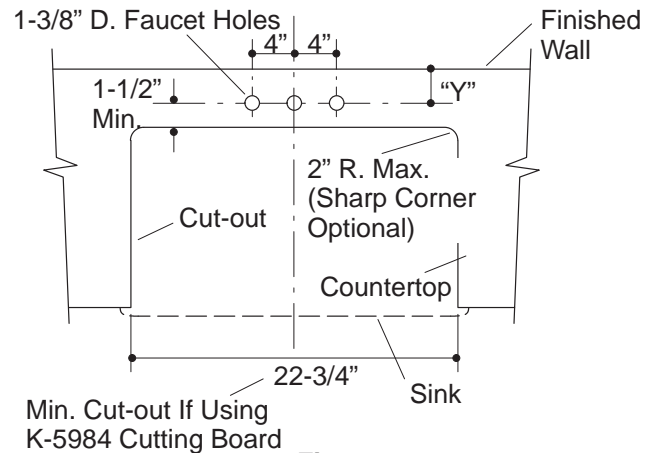


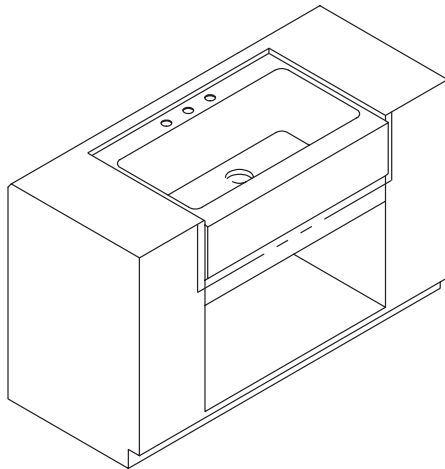
Fig. #9

14. Cut out the opening in the countertop, carefully following the pencil line. Use an orbital sander or sanding block to smooth the edge of the cut-out area and remove all saw marks. For laminate-type countertops, all exposed un laminated surfaces near the cut-out opening must be adequately finished and sealed to prevent damage from water absorption.

CAUTION: Risk of product damage. Do not cut, drill, or sand countertop while positioned over fixture.

15. Drill required faucet hole locations (number of holes drilled will be determined by the fitting being used) and install faucet to countertop according to manufacturer's instructions. (Sink has five faucet holes.)
16. Clean the top of the sink rim, making sure surface is free from debris. Clean the bottom of the countertop around the cut-out area, making sure surface is smooth and free of defects.
17. Apply a generous bead of sealant around the sink rim (where sink rim and countertop meet).
18. Position the countertop over the sink, being careful the sealant provides a complete seal between sink rim and bottom of countertop. Immediately wipe away any excess sealant with a damp cloth. Fill any voids between rim and countertop with provided sealant.
19. Sealing gap between apron and cabinet is optional.

SOLID SURFACE INSTALLATION



Solid Surface

Fig. #10

NOTE: Do not use tile for this type of installation.

1. Follow steps 1-8 as outlined in the undercounter sink installation section.

CUT-OUT POSITIONING

2. **See Fig. #8.** Due to the various cut-out sizes possible, no template is supplied. If using the K-5984 cutting board, the minimum cut-out length is 22-3/4".
3. Carefully measure the countertop to determine the exact location of the cut-out.
4. **See Fig. #11.** Measure the distance from finished wall to the center of sink faucet holes (Dim. "Y"). This dimension will be used to locate the faucet hole centerline and back edge of the cut-out on the countertop. Make sure the sink is positioned to provide adequate clearance between faucet and backsplash, finished wall, or support frame. This will ensure full faucet operation when installed.
5. **See Fig. #11.** From back edge of countertop, locate the dimension from finished wall to center of faucet holes (Dim. "Y") and draw the centerline. Subtract 1-1/2" from the faucet hole centerline to locate the back edge of the

cut-out. Trace the cut-out opening on the countertop using a soft lead pencil. Locate the faucet holes.

6. Cut out the opening in the countertop, carefully following the pencil line. Use an orbital sander or sanding block to smooth the edge of the cut-out area and remove all saw marks. For laminate-type countertops, all exposed un laminated surfaces near the cut-out opening must be adequately finished and sealed to prevent damage from water absorption.

CAUTION: Risk of product damage. Do not cut, drill, or sand countertop while positioned over fixture.

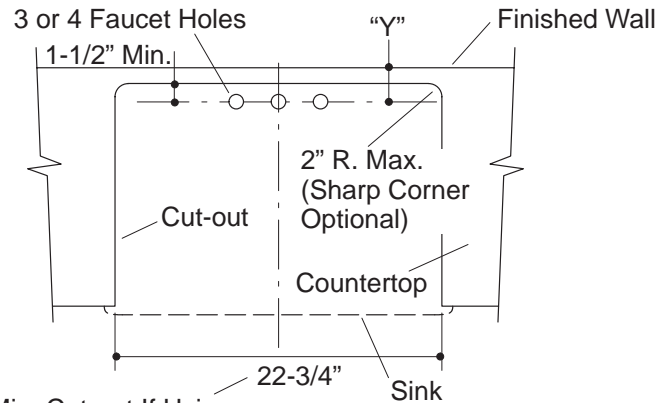


Fig. #11

7. Drill required faucet hole locations (number of holes drilled will be determined by the fitting being used) and install faucet to countertop according to manufacturer's instructions.
8. Clean the top of the sink rim, making sure surface is free from debris. Clean the bottom of the countertop around the cut-out area, making sure surface is smooth and free of defects.
9. Apply a generous bead of sealant around the sink rim (where sink rim and countertop meet).
10. Position the countertop over the sink, being careful the sealant provides a complete seal between sink rim and bottom of countertop. Immediately wipe away any excess sealant with a damp cloth. Fill any voids between rim and countertop with provided sealant.
11. Sealing gap between apron and cabinet is optional.

IMPORTANT CONSUMER INFORMATION

CONSUMER RESPONSIBILITIES


A routine cleaning with a mild cleanser, especially if living in a hard water area, will maintain the finish of this sink.

Do not use abrasive cleaners or solvents.

To avoid potential damage to the finish, avoid soaking dishes for a very long time and refrain from leaving coffee grounds and tea bags in the sink.

REQUESTING SERVICE

Please take a moment to familiarize yourself with the Kohler Warranty, its benefits, and limitations. Kohler Co. and its distributors support you with one of the largest Service Networks of its type. Here's what you need to do if you require service:

- First:** Contact the dealer or contractor who sold and installed the product. They should be able to solve any problems you may have.
- Second:** If your dealer or contractor cannot solve the problem, they will contact or supply you with the name of the local Kohler Distributor and the:
 Kohler Technical Specialist
- THIRD:** If you are unable to obtain warranty service through either your contractor or Kohler Co. distributor, please write us directly at Kohler Co., Attn: Customer Service Department, 444 Highland Drive, Kohler, WI 53044 U.S.A.
- Fourth:** Include all pertinent information regarding your claim, including a complete description of the product, model numbers, colors, finishes, and the date the product was installed. Include a description of the problem, and a photocopy of your invoice for the products involved. Also give us the name of the contractor and distributor.

LIMITED ONE-YEAR WARRANTY

Kohler plumbing fixtures and fittings are warranted free of manufacturing defects.

Kohler Co. will, at its election repair, replace, or make appropriate adjustment where Kohler Co. inspection disclosed any such defects occurring in normal usage within two years after installation. Kohler Co. is not responsible for installation costs.

To obtain warranty service, contact Kohler Co. either through your Dealer or Plumbing Contractor or by writing Kohler Co., Attn: Customer Service Department, 444 Highland Drive, Kohler, WI 53044 U.S.A., or by calling **1-800-4-KOHLER** from within the U.S.A.

Implied warranties, including that of merchantability and fitness for a particular purpose, are expressly limited in duration to the duration of this warranty. To the extent permitted by law, Kohler Co. disclaims all implied warranties including merchantability and fitness for a particular purpose. Kohler Co. disclaims any liability for special, incidental, or consequential damages.

Some states do not allow limitations on how long an implied warranty lasts or the exclusion or limitation of incidental or consequential damages, so this limitation and exclusion may not apply to you. This warranty gives you specific legal rights. You may also have rights which vary from state to state.

This is our exclusive written warranty.

Kohler Co., Kohler, Wisconsin 53044

