

Features

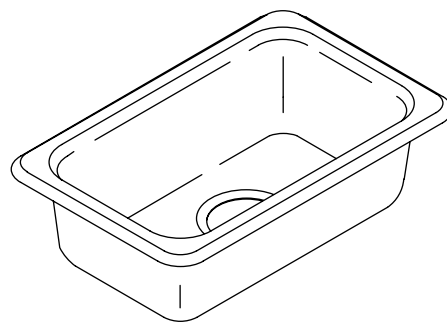
- KOHLER cast iron
- Acid-resistant enamel finish
- Self-rimming or undercounter
- Single compartment
- 12" (30.5 cm) x 18-3/4" (47.6 cm)

SELF-RIMMING OR UNDERCOUNTER KITCHEN SINK K-6586

Codes/Standards Applicable

Specified model meets or exceeds the following:

- ASME A112.19.1M
- IAPMO/UPC



Colors/Finishes

- 0: White
- Other: Refer to Price Book for additional colors/finishes

Accessories:

- CP: Polished Chrome
- Other: Refer to Price Book for additional colors/finishes

Specified Model

Model	Description	Colors/Finishes	
K-6586	Kitchen sink	<input type="checkbox"/> 0	<input type="checkbox"/> Other _____
Optional Accessories			
K-8801	Duostrainer® sink strainer	<input type="checkbox"/> CP	<input type="checkbox"/> Other _____

Product Specification

The kitchen sink shall be made of cast iron with acid-resistant enamel finish. Sink shall be self-rimming or undercounter with a single compartment. Sink shall be 12" (30.5 cm) in length and 18-3/4" (47.6 cm) in width. Sink shall be Kohler Model K-6586-_____.

IRON/TONES™

Technical Information

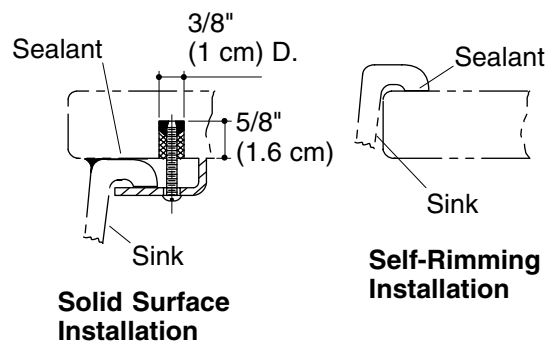
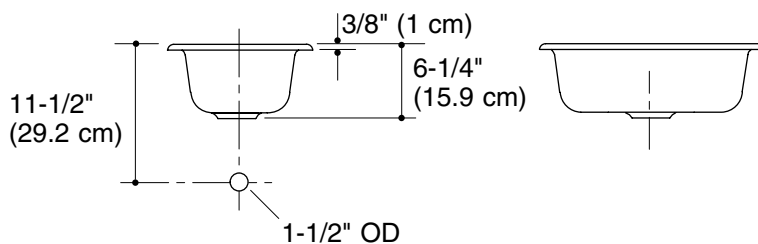
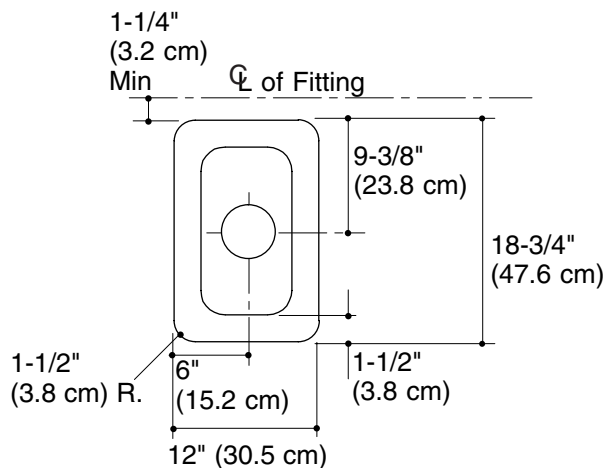
Fixture*:	
Basin area	9" (22.9 cm) x 16" (40.6 cm)
Water depth	5-1/2" (14 cm)
Drain hole	3-7/8" (9.8 cm) D.
* Approximate measurements for comparison only.	

Installation Notes

Install this product according to the installation guide.

Supplied basin clamp assemblies require 1" (2.5 cm) minimum countertop thickness. Installer must supply hardware for thinner countertops.

For multiple bowl undercounter installations, a minimum distance of 3-3/8" (8.6 cm) is required between bowls. Countertop supplier to determine required support.



Product Diagram

IRON/TONES™ SELF-RIMMING OR UNDERCOUNTER KITCHEN SINK

Page 2 of 2
114334-4-AD

THE BOLD LOOK
OF **KOHLER**®