

### Features

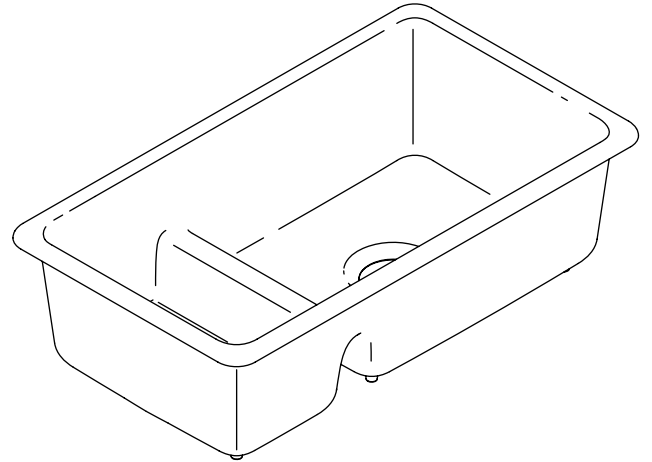
- KOHLER cast iron
- Acid-resistant enamel finish
- Double (small/large) compartment
- Self-rimming or undercounter
- Undermount sink kit 23" (58.4) included
- Reversible
- 4-1/2" (11.4 cm) height divider
- 33" (83.8 cm) x 18-3/4" (47.6 cm)

### Codes/Standards Applicable

Specified model meets or exceeds the following:

- ASME A112.19.1M
- CSA B45
- IAPMO/UPC

## SELF-RIMMING OR UNDERCOUNTER KITCHEN SINK K-6625



### Colors/Finishes

- 0: White
- Other: Refer to Price Book for additional colors/finishes

### Accessories:

- CP: Polished Chrome
- Other: Refer to Price Book for additional colors/finishes

### Specified Model

Model	Description	Colors/Finishes	
K-6625	Kitchen sink	<input type="checkbox"/> 0	<input type="checkbox"/> Other_____
Optional Accessories			
K-8801	Duostrainer® sink strainer	<input type="checkbox"/> CP	<input type="checkbox"/> Other_____

### Product Specification:

The reversible kitchen sink shall be 33" (83.8 cm) in length and 18-3/4" (47.6 cm) in width for a self-rimming installation or 30-5/16" (77 cm) in length and 16-1/16" (40.8 cm) in width for an undercounter mount installation. Sink shall be made of cast iron with acid resistant enamel finish. Sink shall be double compartment with 4-1/2" (11.4 cm) height divider. Sink shall include undermount sink kit 23" (58.4 cm). Sink shall be Kohler Model K-6625-\_\_\_\_\_.

# IRON/TONES™

## Technical Information

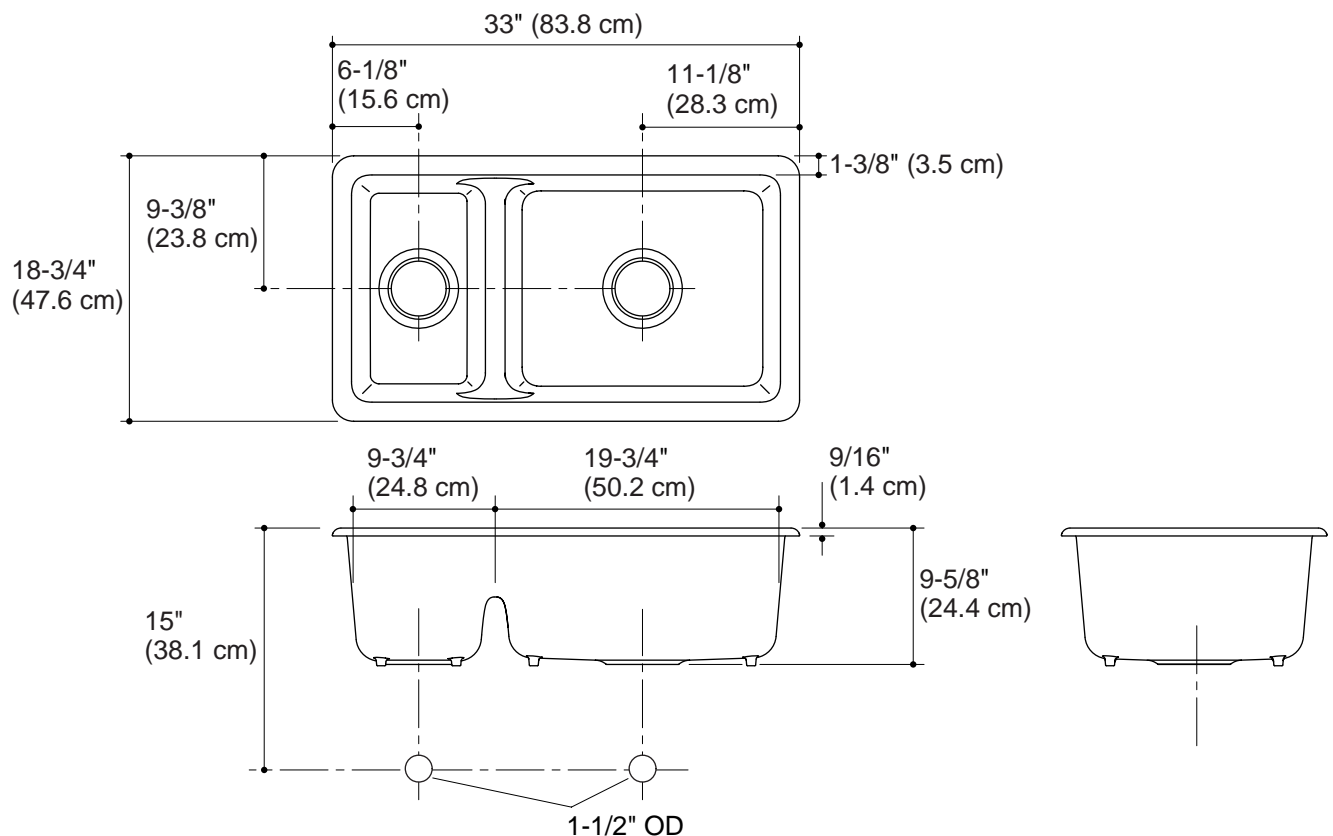
Fixture*:	
Basin area	30" (76.2 cm) x 16" (40.6 cm)
Water depth	9" (22.9 cm)
Drain holes	3-7/8" (9.8 cm) D.
* Approximate measurements for comparison only.	

Included components:	
Cut-out template	1043168-7
Undermount sink kit 23" (58.4 cm)	1054375

## Installation Notes

Install this product according to the installation guide.

**NOTICE:** The countertop manufacturer or cutter **must** use the cut-out template provided with the product, or a current one provided by the Kohler Co. (Call 1-800-4-KOHLER.) Kohler Co. is not responsible for cut-out errors when the incorrect cut-out template is used.



## Product Diagram