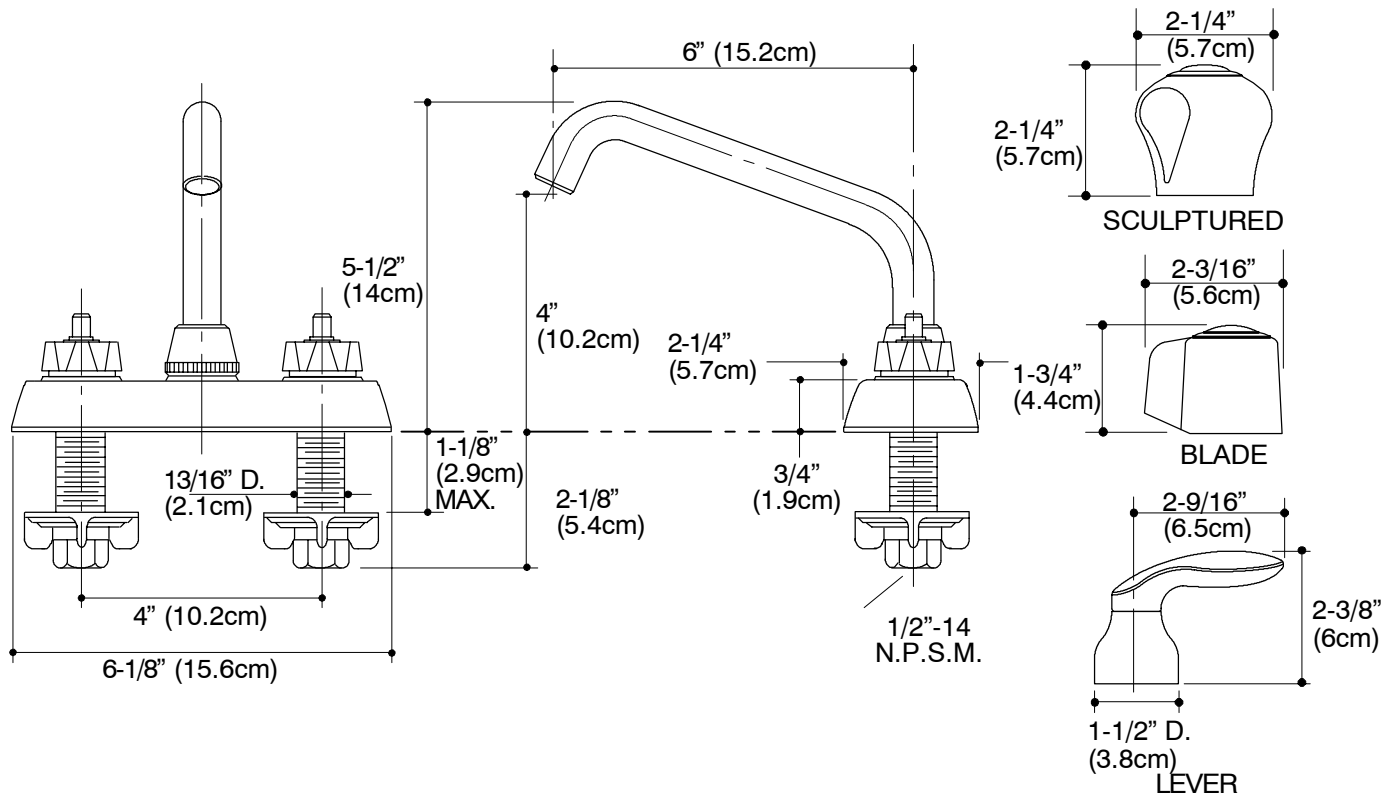


Ordering Information

Applicable faucet:	
With sculptured handles	K-15270
With blade handles	K-15270-B
With lever handles	K-15270-4
ADA Blade and lever handles are ADA compliant	



516

K-15270 Coralais™ Laundry Sink Faucet
115377-1-BA

KOHLER®

NOTES: