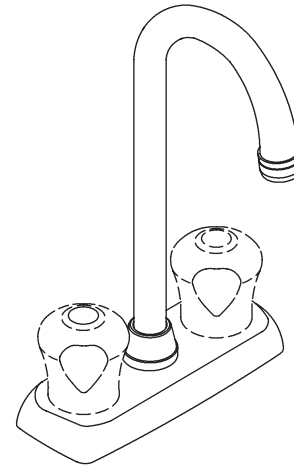


**ENTERTAINMENT SINK FAUCET
K-15275**

Features

- Metal construction
- Reversible quarter-turn washerless ceramic disc valves
- 2.2 gpm (8.3 lpm) flow rate
- Lower flow aerator options are available (refer to the Kohler Price Book)
- For 4" (10.2 cm) centers
- Available with sculptured acrylic or lever handles
- 4" (10.2 cm) gooseneck spout



Codes/Standards Applicable



Specified model meets or exceeds the following:

- ASME A112.18.1/CSA B125.1
- IAPMO/UPC
- Energy Policy Act of 1992 (EPACT)
- ASME A112.18.1/CSA B125.1
- NSF 61

Colors/Finishes

- CP: Polished Chrome
- PB: Polished Brass

Specified Model

Model	Description			 ADA
K-15275	Entertainment sink faucet with sculptured acrylic handles	<input type="checkbox"/> CP	<input type="checkbox"/> PB	
K-15275-4	Entertainment sink faucet with lever handles	<input type="checkbox"/> CP		

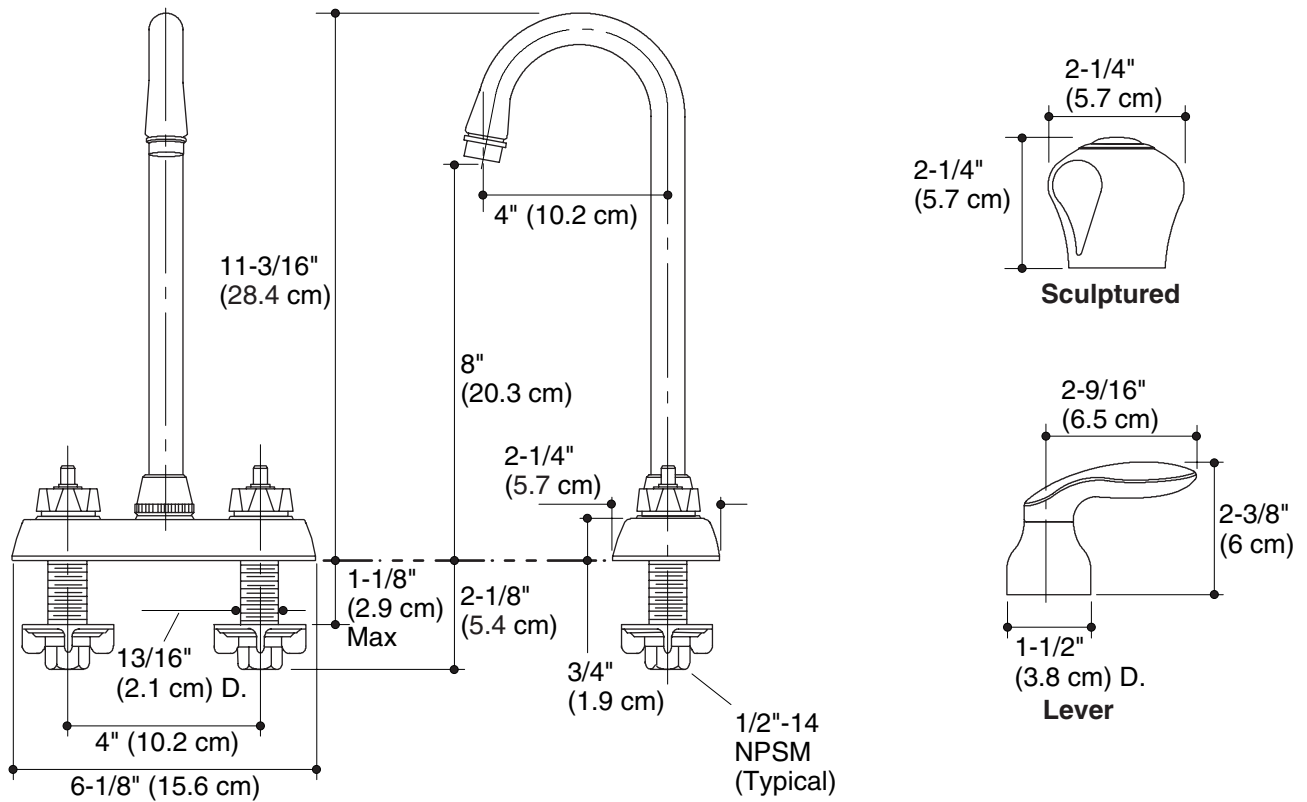
Product Specification

Two-handle centerset entertainment sink faucet shall be of metal construction. Faucet shall feature reversible quarter-turn washerless ceramic disc valves, assuring positive handle stop positioning. Faucet shall include 4" (10.2 cm) centers, 4" (10.2 cm) gooseneck spout, and sculptured acrylic or lever handles. Faucet shall be rated at 2.2 gallons (8.3 L) per minute. Faucet shall have lower flow aerator options. Faucet shall be Kohler Model K-15275-____-____.

CORALAIS®

Installation Notes

Install this product according to the installation guide.



Product Diagram