

**BAR AND PANTRY FAUCET  
K-151-3**

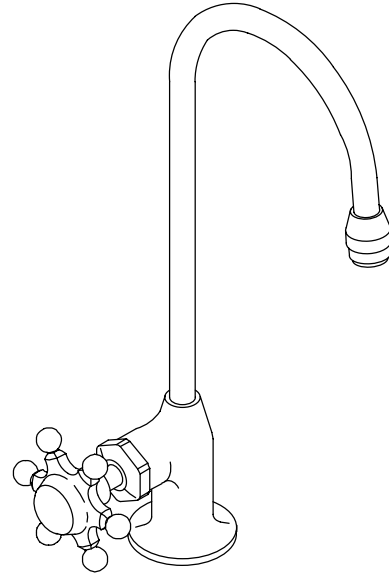
**FEATURES**

- Brass construction
- Single supply for single-hole mounting
- Brass valve body
- Valvet® valve
- 5-3/16" gooseneck spout
- 2.5 gallons per minute
- Six-prong handle

**CODES/STANDARDS APPLICABLE**

Specified model meets or exceeds the following:

- ASME/ANSI A112.18.1M
- Energy Policy Act of 1992
- NSF 61



**COLORS/FINISHES**

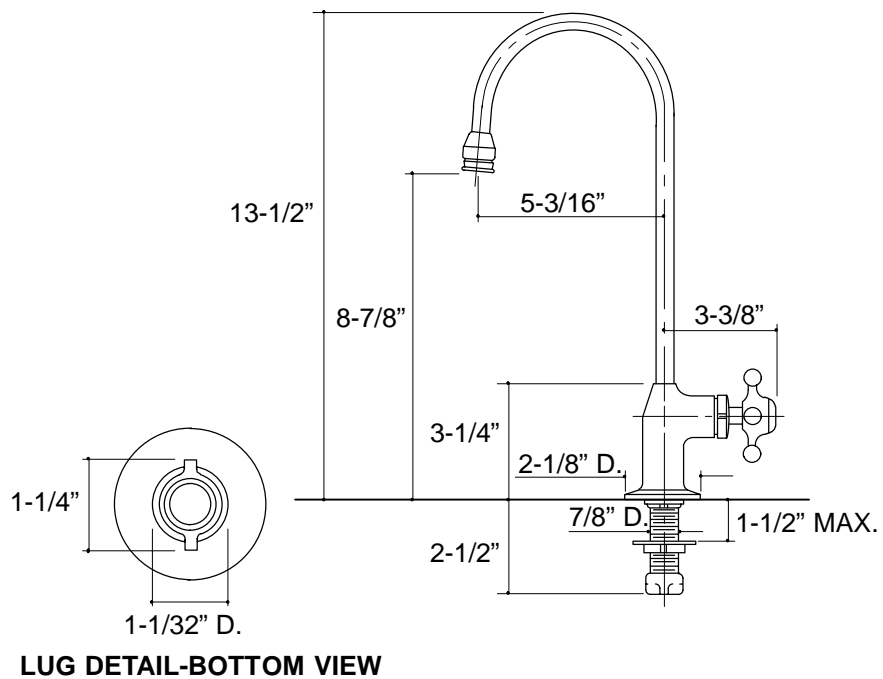
- CP Polished Chrome

**SPECIFIED MODEL:**

Model	Description	
K-151-3	Antique Bar and Pantry Faucet	<input type="checkbox"/> CP

**PRODUCT SPECIFICATION:**

Single-handle pantry faucet shall be of brass construction. Faucet shall feature a brass valve body. Faucet shall also feature a Valvet valve. Product shall include single supply for single-hole mounting, 5-3/16" gooseneck spout, and six-prong handle. Faucet shall be Kohler Model K-151-3-CP.



316

**PRODUCT DIAGRAM**