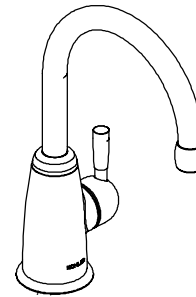


**BEVERAGE FAUCET
K-6665
ALSO K-6666**

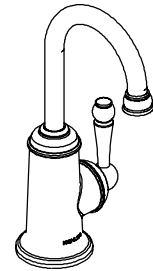
ADA

FEATURES

- Brass construction
- Single-hole mounting
- Brass valve body
- Quarter-turn washerless ceramic disc valve
- 8-3/4" (Contemporary style) or 7-5/8" (Traditional style) high-arch spout pivots for improved basin access
- 1.6 gallons per minute
- Right side lever handle
- Available with contemporary or traditional styling
- Single cold water braided stainless steel supply hose



K-6665



K-6666

CODES/STANDARDS APPLICABLE

Specified model meets or exceeds the following:

- ASME/ANSI A112.18.1M
- Energy Policy Act of 1992

COLORS/FINISHES

- CP Polished Chrome
- Other Refer to Faucets Price Book for additional finishes

SPECIFIED MODEL:

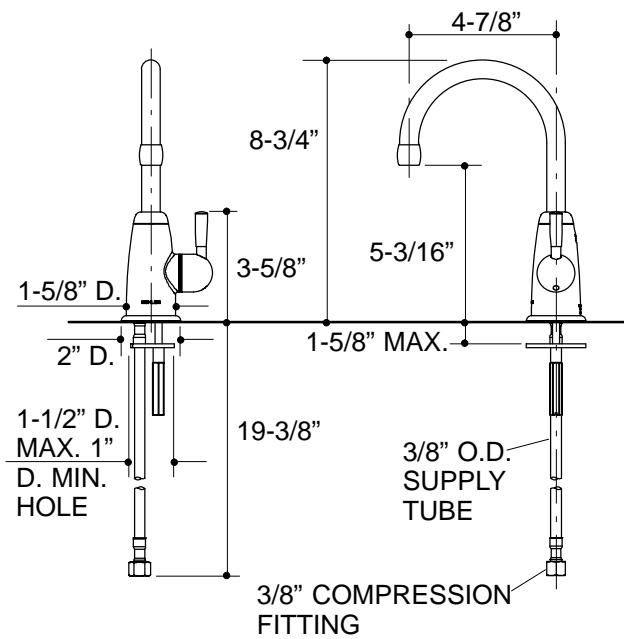
Model	Description	<input type="checkbox"/> CP	<input type="checkbox"/> Other_____
K-6665	With Contemporary Styling	<input type="checkbox"/> CP	<input type="checkbox"/> Other_____
K-6666	With Traditional Styling	<input type="checkbox"/> CP	<input type="checkbox"/> Other_____

PRODUCT SPECIFICATION:

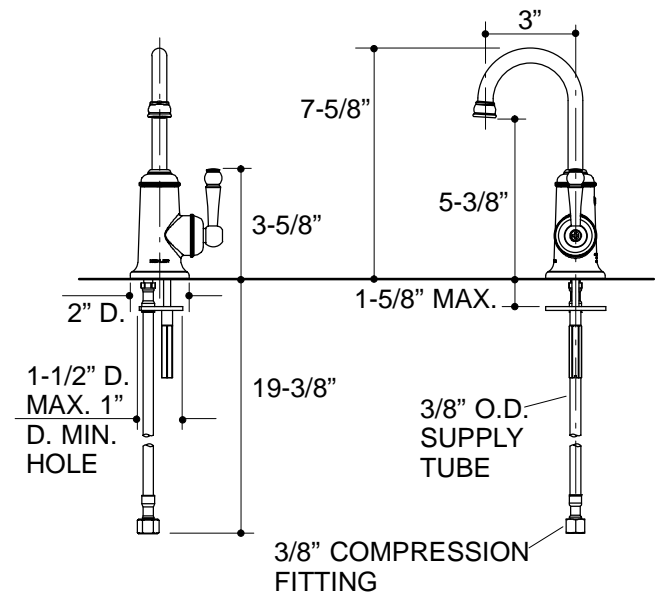
Single-handle single-hole decorative beverage faucet shall be of brass construction. Faucet shall feature a brass valve body. Faucet shall also feature a quarter-turn washerless ceramic disc valve, assuring positive handle stop positioning. Product shall include single-hole mounting, 8-3/4" (contemporary style) or 7-5/8" (traditional style) high-arch spout which pivots for improved basin access, right side lever handle, and single cold water braided stainless steel supply hose. Optional feature shall be contemporary or traditional styling. Faucet shall be Kohler Model K-_____ - _____.

INSTALLATION NOTES

Not for use with instant hot water systems.



K-6665



K-6666

1.25>18

PRODUCT DIAGRAM