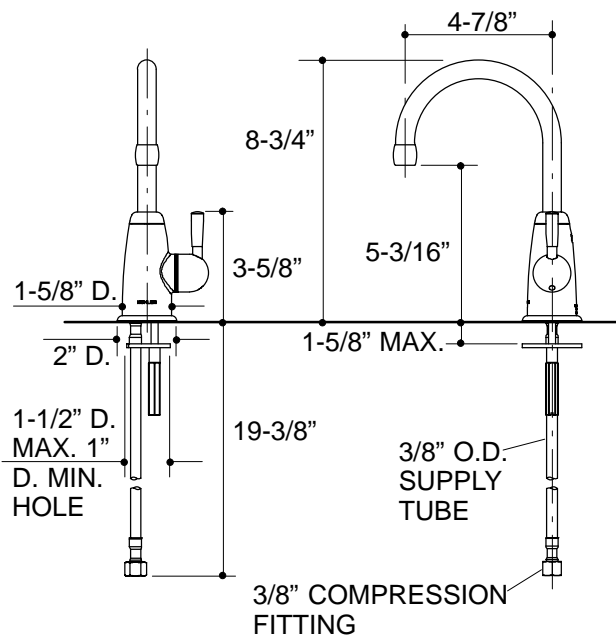


Ordering Information

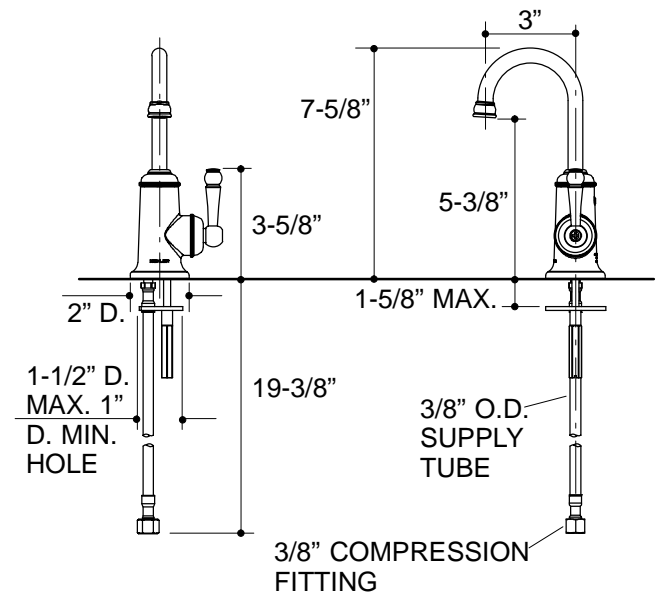
| | | |
|--|--------|-------|
| Applicable product: | | |
| Contemporary styling | K-6665 | shown |
| Traditional styling | K-6666 | shown |
| ADA Lever handle is ADA compliant | | |

Installation Notes

Not for use with instant hot water systems.



K-6665



K-6666

1.25>18

K-6665, K-6666 Wellspring™ Beverage Faucet
85817-1-AA (-)

NOTES: