

KITCHEN SINK FAUCET

K-7341

ALSO K-7342

ADA

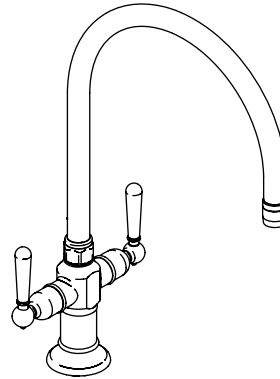
Features

- *Stainless steel construction*
- *Two quarter-turn washerless ceramic disc valves*
- *Available with 10" (25.6 cm) or 7" (17.8 cm) gooseneck swing spout*
- *ADA compliant lever handles*
- *2.2 gpm (8.3 lpm) flow rate*

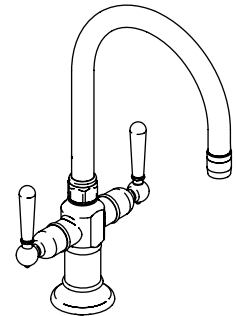
Codes/Standards Applicable

Specified model meets or exceeds the following:

- *ASME A112.18.1/CSA B125.1*
- *IAPMO/cUPC*
- *NSF 61*
- *ADA*
- *Energy Policy Act of 1992*



K-7341



K-7342

Colors/Finishes

- BS: Brushed Stainless Steel
- S: Polished Stainless Steel

Accessories:

- BS: Brushed Stainless Steel
- S: Polished Stainless Steel

Specified Model

Model	Description	Colors/Finishes	
K-7341-4	Kitchen sink faucet with 10" (25.6 cm) swing spout – lever handles	<input type="checkbox"/> BS	<input type="checkbox"/> S
K-7342-4	Entertainment sink faucet with 7" (17.8 cm) swing spout – lever handles	<input type="checkbox"/> BS	<input type="checkbox"/> S
Recommended Accessories			
K-7344-4	HiRise independent sidespray with lever handle	<input type="checkbox"/> BS	<input type="checkbox"/> S
K-7346	HiRise soap/lotion dispenser	<input type="checkbox"/> BS	<input type="checkbox"/> S

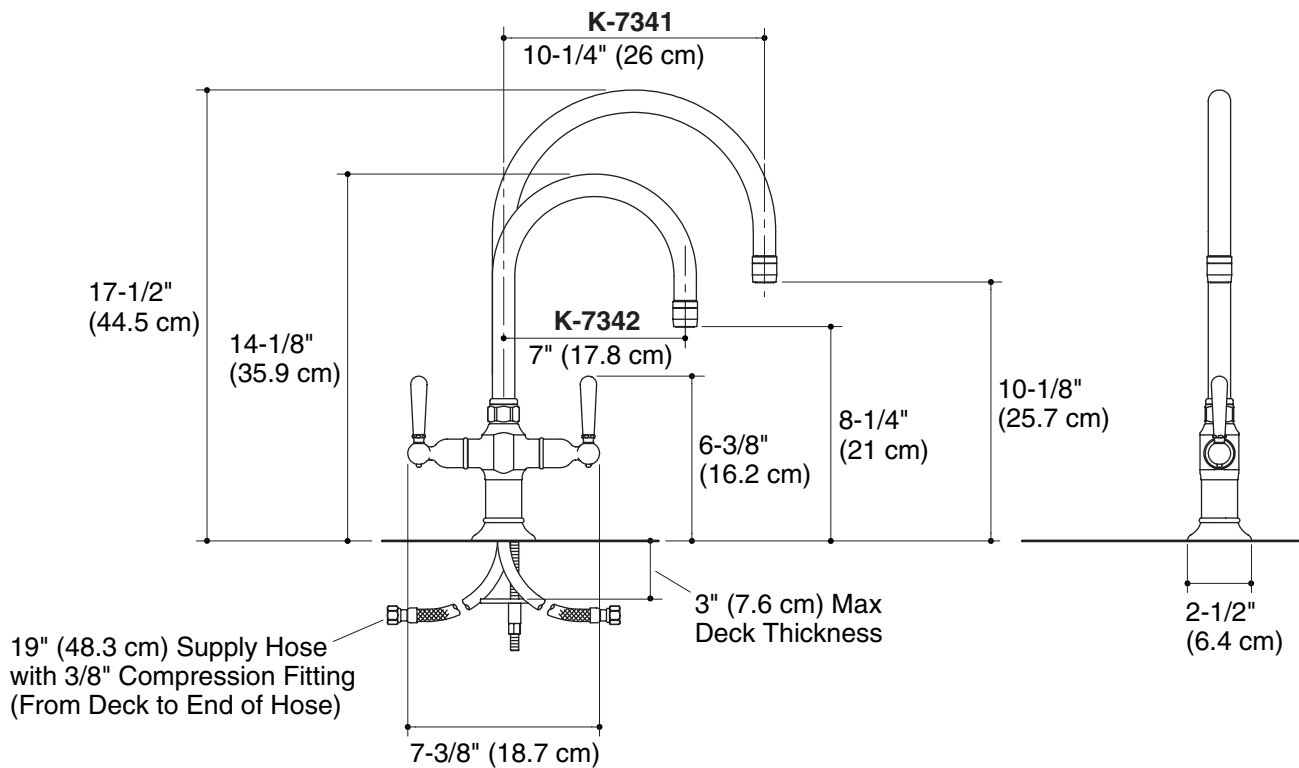
Product Specification

The two-handle sink faucet shall be constructed of stainless steel. Faucet shall feature two quarter-turn washerless ceramic disc valves, assuring positive handle stop positioning. Faucet shall be available with a 10" (25.6 cm) or 7" (17.8 cm) gooseneck swing spout. Faucet shall feature ADA compliant lever handles and a flow rate of 2.2 gpm (8.3 lpm). Faucet shall be Kohler Model K-_____-4-_____.

HIRISE™

Installation Notes

Install this product according to the installation guide.



Product Diagram