

KOHLER® Roughing-In

**K-10445
FORTE®
KITCHEN SINK FAUCET**

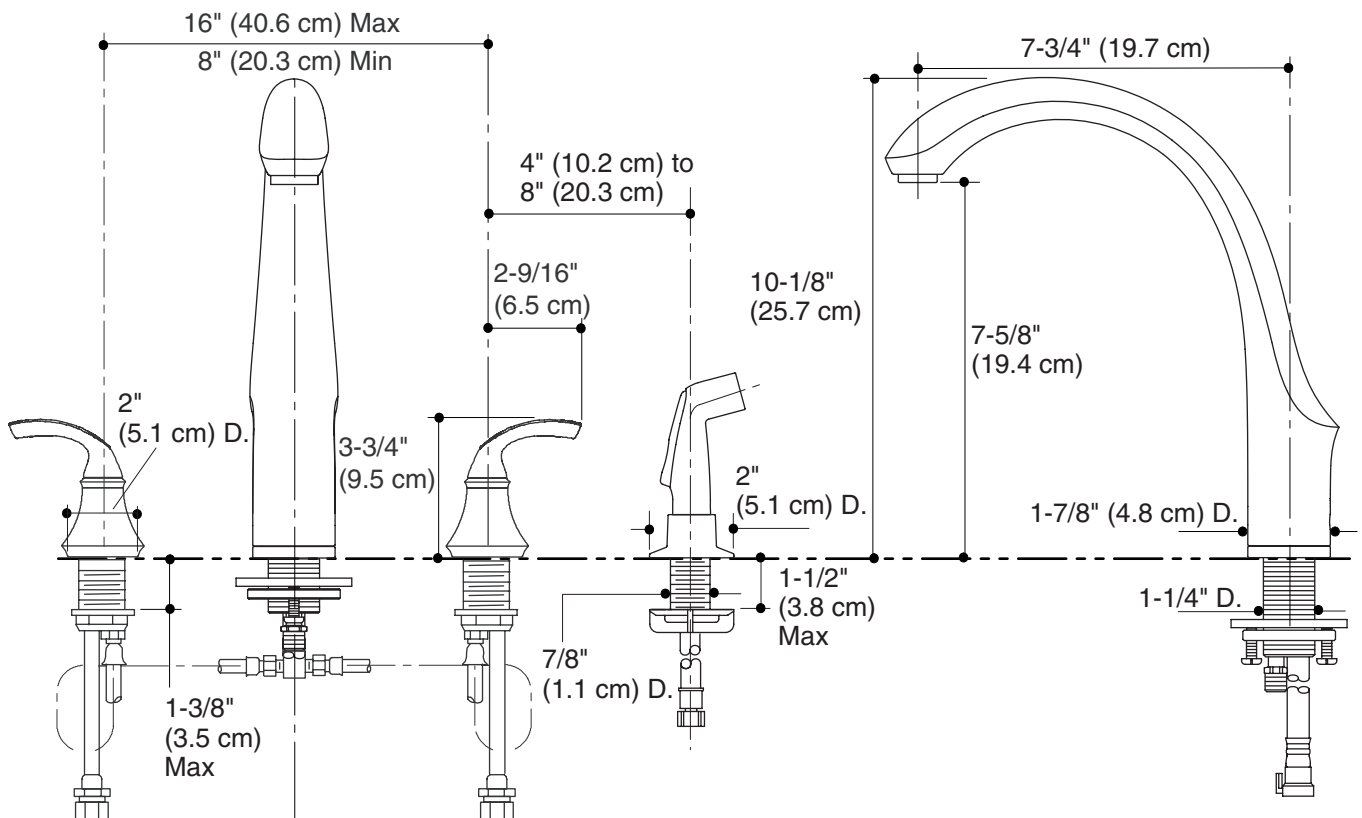
Product Information

Applicable faucet:	
Kitchen sink faucet with matching finish sidespray	K-10445
Lever handle complies with the actuation force Accessibility Guidelines of the Americans with Disabilities Act.	ADA
Recommended accessories:	
Soap/lotion dispenser	K-1893
Duostrainer® sink strainer with tailpiece	K-8801

Installation Notes

Install this product according to the installation guide.

Lower flow aerator options are available - please refer to the Kohler price book.



FORTE® KITCHEN SINK FAUCET
1072783-1-A

KOHLER®