

**Features**

- Metal construction
- Lever handles
- (2) Quarter-turn washerless ceramic disc valves
- 24" (61 cm) Extended reach swing spout
- 4 gallons (15.1 liters) per minute minimum flow rate at 45 psi (3.1 bars)
- Fixed position wall flange

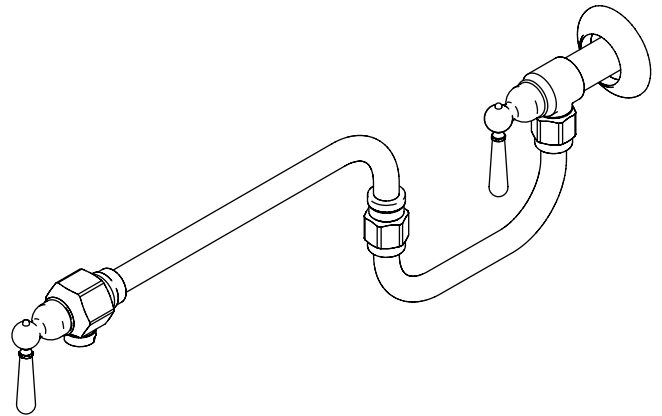
**WALL-MOUNT POT FILLER UTILITY FAUCET  
K-7322**

**ADA**

**Codes/Standards Applicable**

Specified model meets or exceeds the following:

- ASME A112.18.1/CSA B125.1
- IAPMO/cUPC
- NSF 61
- ADA



**Colors/Finishes**

- BS: Brushed Stainless Steel
- S: Polished Stainless Steel

**Specified Model:**

Model	Description	Color/Finish
K-7322-4	HiRise wall-mount pot filler with lever handles	<input type="checkbox"/> BS <input type="checkbox"/> S

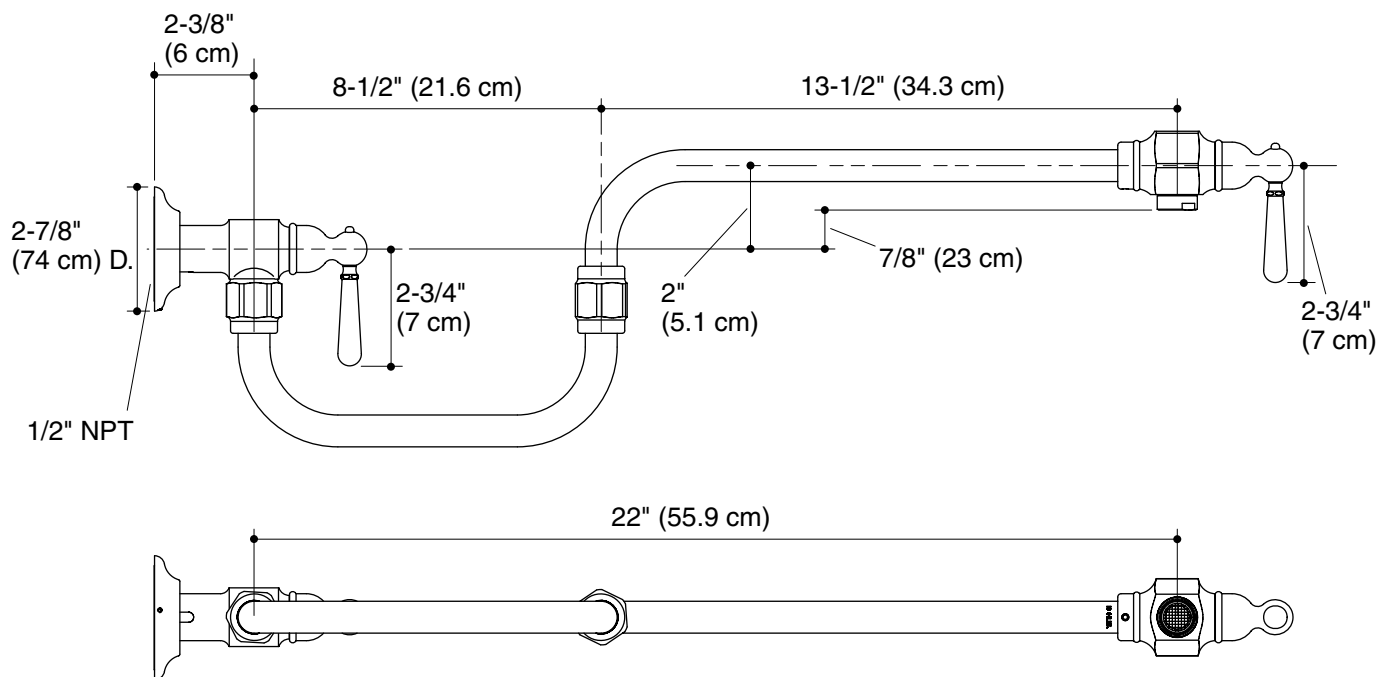
**Product Specification**

Two-handle pot filler utility faucet shall be of stainless steel construction. Faucet shall feature brass valve bodies with quarter-turn washerless ceramic disc valves. The wall-mount faucet shall have an overall reach of 24" (61 cm). The faucet shall have a minimum flow rate of 4.0 gallons (15.1 liters) per minute at 45 psi (3.1 bar). The faucet shall be ADA compliant. Faucet shall be Kohler Model K-7322-4-\_\_\_\_\_.

# HIRISE™

## Installation Notes

Install this product according to the installation guide.



**Product Diagram**