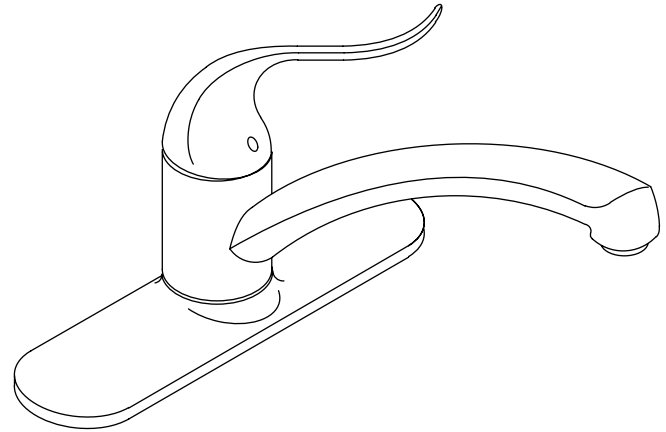


**KITCHEN SINK FAUCET
K-15071-P**

ADA

Features

- Metal construction
- One-piece, self-contained ceramic disc valve allows both volume and temperature control
- Temperature memory allows faucet to be turned on and off at any temperature setting
- High-temperature limit setting for added safety
- 2.2 gpm (8.3 lpm) flow rate
- Lower flow aerator options are available (refer to the Kohler Price Book)
- Lever handle
- Ground joint connections
- For 8" (20.3 cm) centers
- 9-1/4" (23.5 cm) swing spout



Codes/Standards Applicable

Specified model meets or exceeds the following:

- ASME A112.18.1/CSA B125.1
- IAPMO/UPC
- NSF 61
- ADA

Colors/Finishes

- CP: Polished Chrome
- PB: Polished Brass
- Other: Refer to Price Book for additional colors/finishes

Specified Model

Model	Description	Colors/Finishes		
K-15071-P	Kitchen sink faucet	<input type="checkbox"/> CP	<input type="checkbox"/> PB	<input type="checkbox"/> Other_____

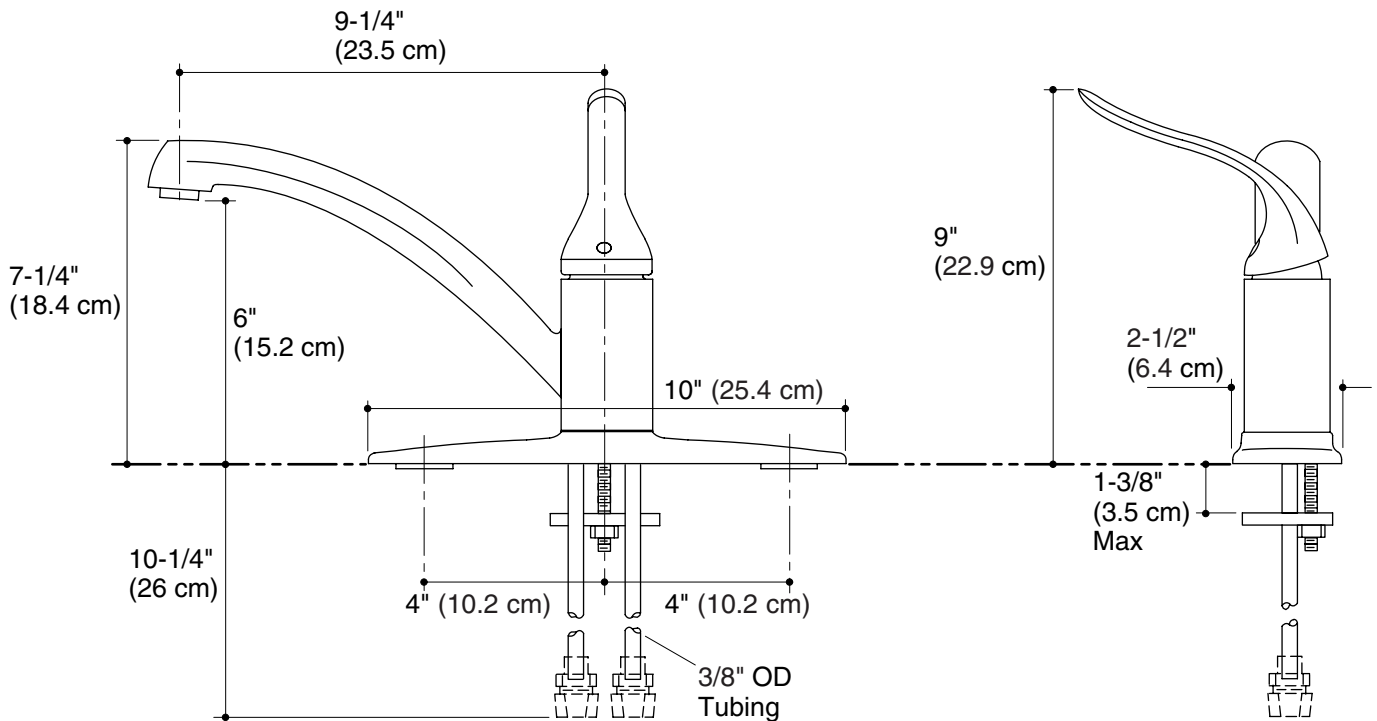
Product Specification

The single-control kitchen sink faucet shall be of metal construction. Valve shall be a one-piece, self-contained ceramic disc valve, which allows volume and temperature control. Valve shall feature temperature memory, allowing the faucet to be turned on and off at any temperature setting. Valve shall include a high-temperature limit stop. Faucet shall include 8" (20.3 cm) centers, 9-1/4" (23.5 cm) swing spout, lever handle, and ground joint connections. Faucet shall be rated at 2.2 gallons (8.3 L) per minute. Faucet shall have lower flow aerator options. Faucet shall be Kohler Model K-15071-P_____.

CORALAIS®

Installation Notes

Install this product according to the installation guide.



Product Diagram