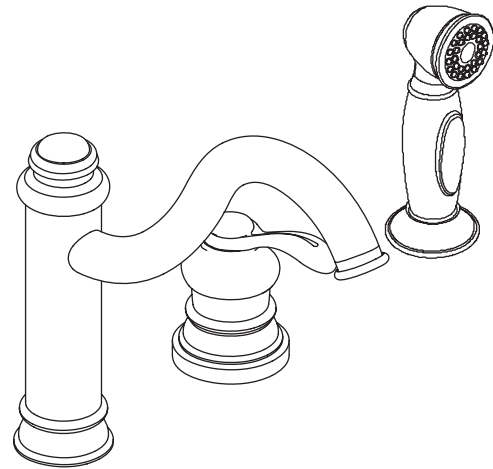


**KITCHEN SINK HIGHSPOUT FAUCET
K-12185**

ADA

Features

- Metal construction
- Brass valve body
- One-piece, self-contained ceramic disc valve allows both volume and temperature control
- Temperature memory allows faucet to be turned on and off at any temperature setting
- High-temperature limit stop for added safety
- 2.2 gallons (8.3 L) per minute
- Lower flow aerator options are available (refer to the Kohler Price Book)
- Color matched handspray
- Remote lever handle
- Flexible connections for easy installation
- Handles are ADA compliant
- 9-3/8" (23.8 cm) swing spout



Codes/Standards Applicable

Specified model meets or exceeds the following:

- ASME A112.18.1
- CSA B125
- IAPMO/UPC
- NSF 61
- Energy Policy Act of 1992 (EPACT)
- ADA

Colors/Finishes

- CP: Polished Chrome
- BN: Brushed Nickel
- Other: Refer to Price Book for additional colors/finishes

Specified Model:

Model	Description	Colors/Finishes		
K-12185	Highspout remote kitchen sink faucet with handspray	<input type="checkbox"/> CP	<input type="checkbox"/> BN	<input type="checkbox"/> Other ____

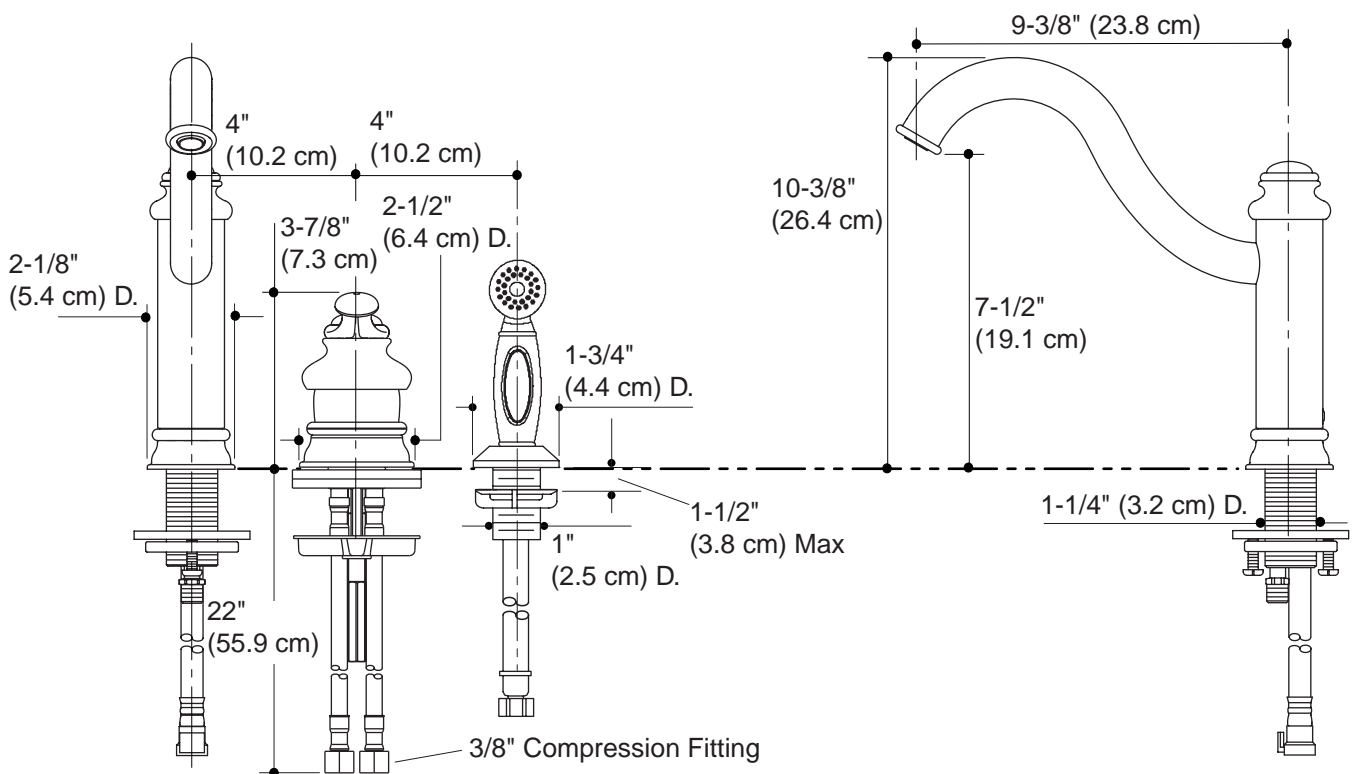
Product Specification

Single-control kitchen sink faucet shall be of metal construction. The valve shall be a one-piece, self-contained ceramic disc valve, and allows both volume and temperature control. The valve shall feature temperature memory, allowing the faucet to be turned on and off at any temperature setting, and includes a high-temperature limit stop. The faucet shall have a flow rate of 2.2 gallons (8.3 L) per minute. Product shall have lower flow aerator options. Product shall include 9-3/8" (23.8 cm) swing spout, remote lever handle, flexible supplies, and handspray. Faucet shall be ADA compliant. Faucet shall be Kohler Model K-12185-____-____.

FAIRFAX®

Installation Notes

Install this faucet following the installation instructions provided.



Product Diagram