

KOHLER® Roughing-In

K-10412
FORTÉ®
KITCHEN SINK FAUCET

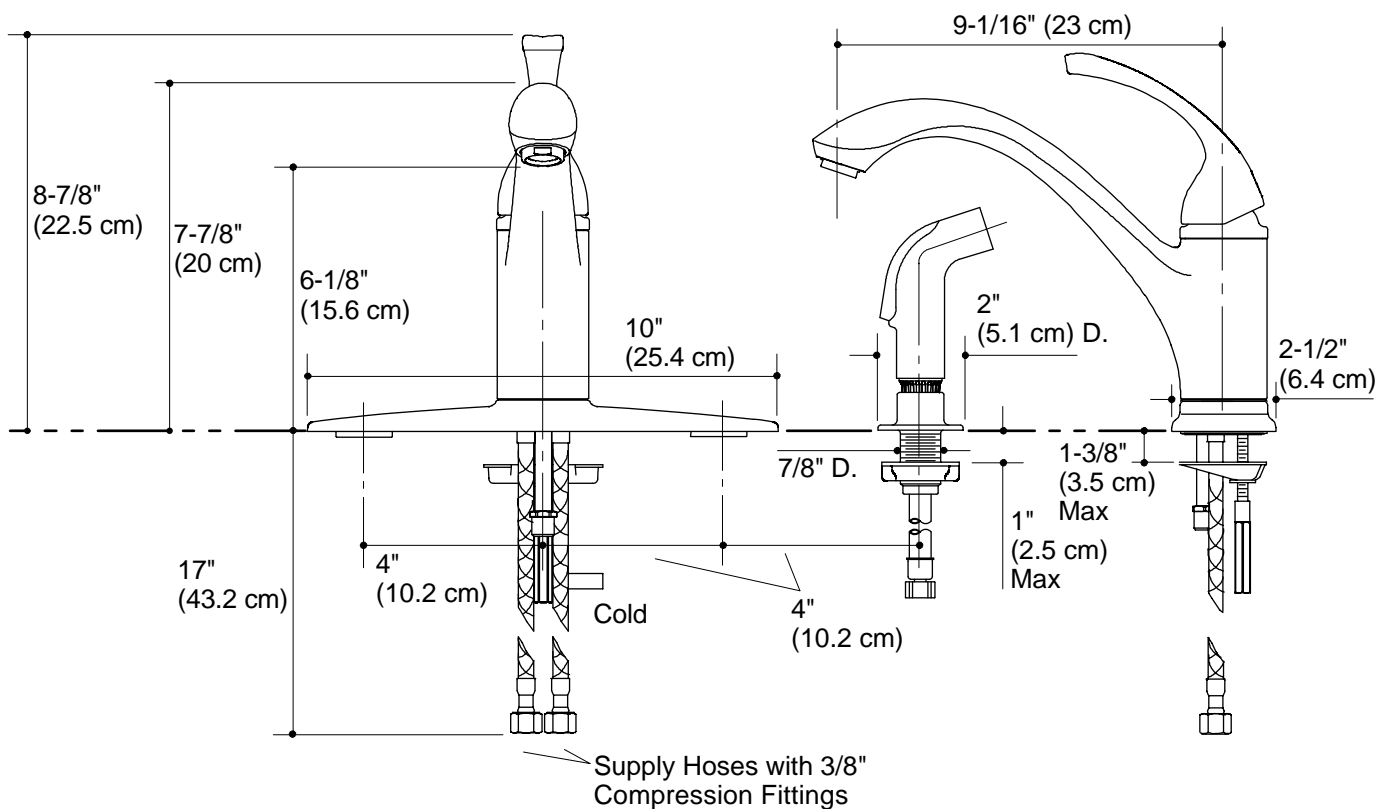
Product Information

Applicable sink faucet with spray:	
Faucet with ground joints	K-10412
Lever handle is ADA compliant.	ADA

Installation Notes

Install this product according to the installation guide.

Lower flow aerators options are available - please refer to the Kohler Price Book.



FORTÉ® KITCHEN SINK FAUCET
1018338-1-B

KOHLER®