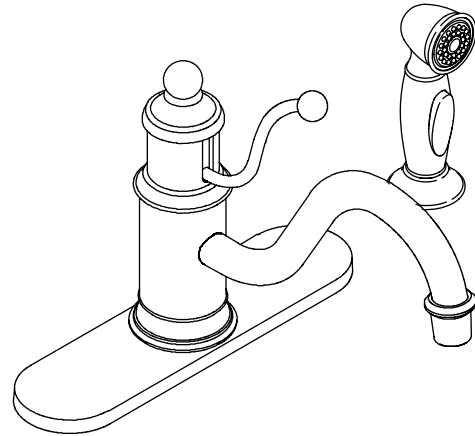


**KITCHEN SINK FAUCET  
K-168  
ALSO K-169, K-170, K-171**

**ADA**

**Features**

- Brass construction
- Single-hole mounting
- One-piece, self-contained ceramic disc valve allows both volume and temperature control
- Temperature memory allows faucet to be turned on and off at any temperature setting
- Available with or without handspray
- Flexible connections for easy installation
- 2.2 gallons (8.3 L) per minute maximum flow rate
- 8-1/8" (20.6 cm) spout reach from finished surface to highest faucet point
- 3-7/8" (9.8 cm) spout reach from finished surface to aerator
- ADA compliant lever handle
- Available with or without 10" (25.4 cm) escutcheon plate



**Codes/Standards Applicable**

Specified model meets or exceeds the following:

- ASME A112.18.1/CSA B125.1
- IAPMO/cUPC
- Energy Policy Act of 1992
- ASSE 1014
- NSF 61
- ADA

**Colors/Finishes**

- CP: Polished Chrome
- BN: Brushed Nickel
- Other: Refer to Price Book for additional colors/finishes

**Accessories**

- NA: None applicable

**Specified Model**

Model	Description	Colors/Finishes		
K-168	Less escutcheon plate, less handspray	<input type="checkbox"/> CP	<input type="checkbox"/> BN	<input type="checkbox"/> Other
K-169	Less escutcheon plate, with handspray	<input type="checkbox"/> CP	<input type="checkbox"/> BN	<input type="checkbox"/> Other
K-170	With escutcheon plate, less handspray	<input type="checkbox"/> CP	<input type="checkbox"/> BN	<input type="checkbox"/> Other
K-171	With escutcheon plate, with handspray (shown)	<input type="checkbox"/> CP	<input type="checkbox"/> BN	<input type="checkbox"/> Other

Optional Accessories		
1011402	Sidespray deep roughing-in kit	<input type="checkbox"/> NA

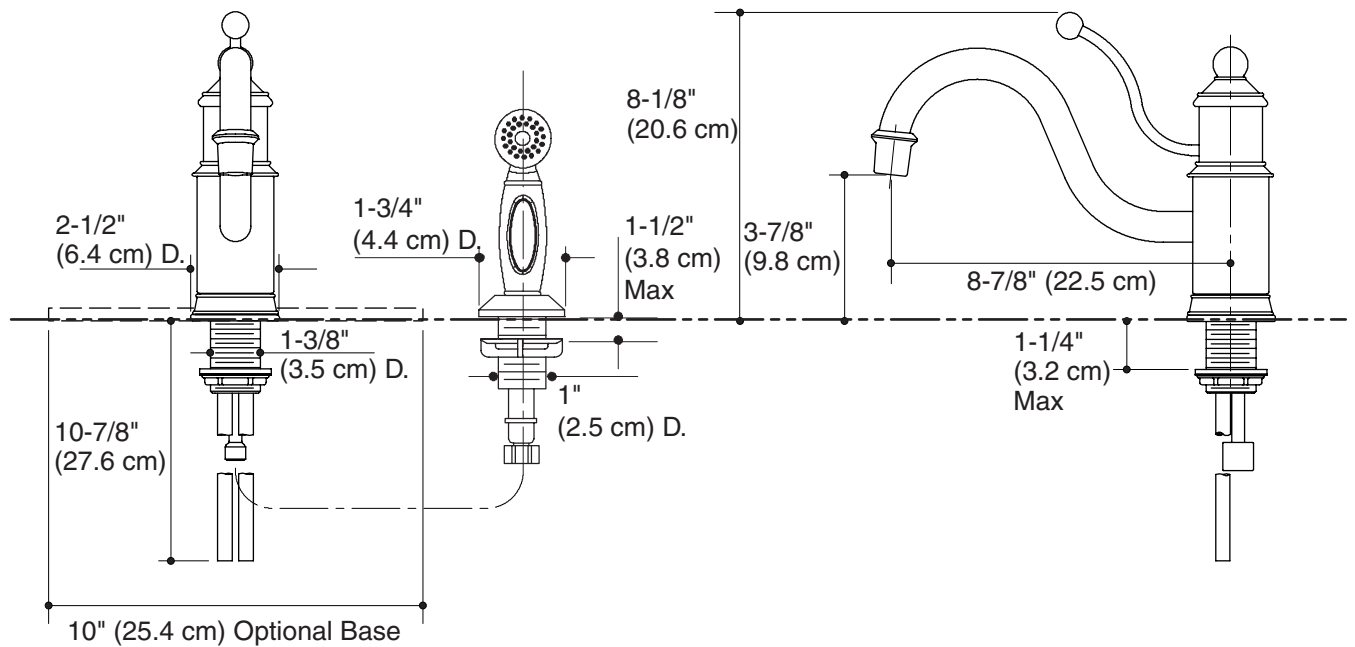
**Product Specification**

Single-control kitchen sink faucet shall be of brass construction. Faucet shall feature a one-piece, self-contained ceramic disc valve, allowing both volume and temperature control. Faucet shall feature temperature memory, allowing the faucet to be turned on and off at any temperature setting. Faucet shall feature a 2.2 gallons (8.3 L) per minute flow rate, ADA compliant lever handle, and flexible connections for easy installation. Faucet shall feature an 8-1/8" (20.6 cm) spout reach from finished surface to highest faucet point. Faucet shall feature a 3-7/8" (9.8 cm) spout reach from finished surface to aerator. Faucet shall be for single-hole mounting. Product shall be available with or without a 10" (25.4 cm) escutcheon plate, and with or without handspray. Faucet shall be Kohler Model K-\_\_\_\_-\_\_\_\_.

# ANTIQUETM

## Installation Notes

Install this faucet following the installation instructions provided.



## Product Diagram