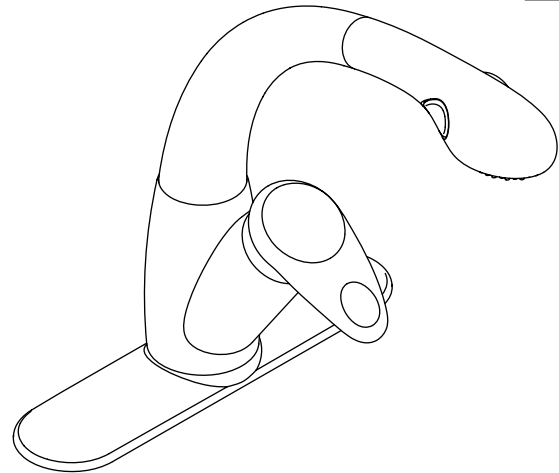


**KITCHEN SINK FAUCET  
K-6350**

**ADA**

**Features**

- Brass construction
- One-piece, self-contained ceramic disc valve allows both volume and temperature control
- Temperature memory allows faucet to be turned on and off at any temperature setting
- High-temperature limit stop for added safety
- 9-1/4" (23.5 cm) high-arch swing spout with integral spray and retractable hose
- Integral vacuum breaker
- Touch control for stream-to-spray water flow
- Sprayhead is available in a variety of colors
- Single-hole or three-hole installation options
- 2.2 gallons (8.3 L) per minute [max at 60 psi (4.14 bar)]
- Front lever handle



**Codes/Standards Applicable**

Specified model meets or exceeds the following:

- ASME A112.18.1
- CSA B125
- IAPMO/UPC
- NSF 61
- Energy Policy Act of 1992 (EPACT)
- Listed in the States of Michigan, New York, and Wisconsin
- ADA

**Colors/Finishes**

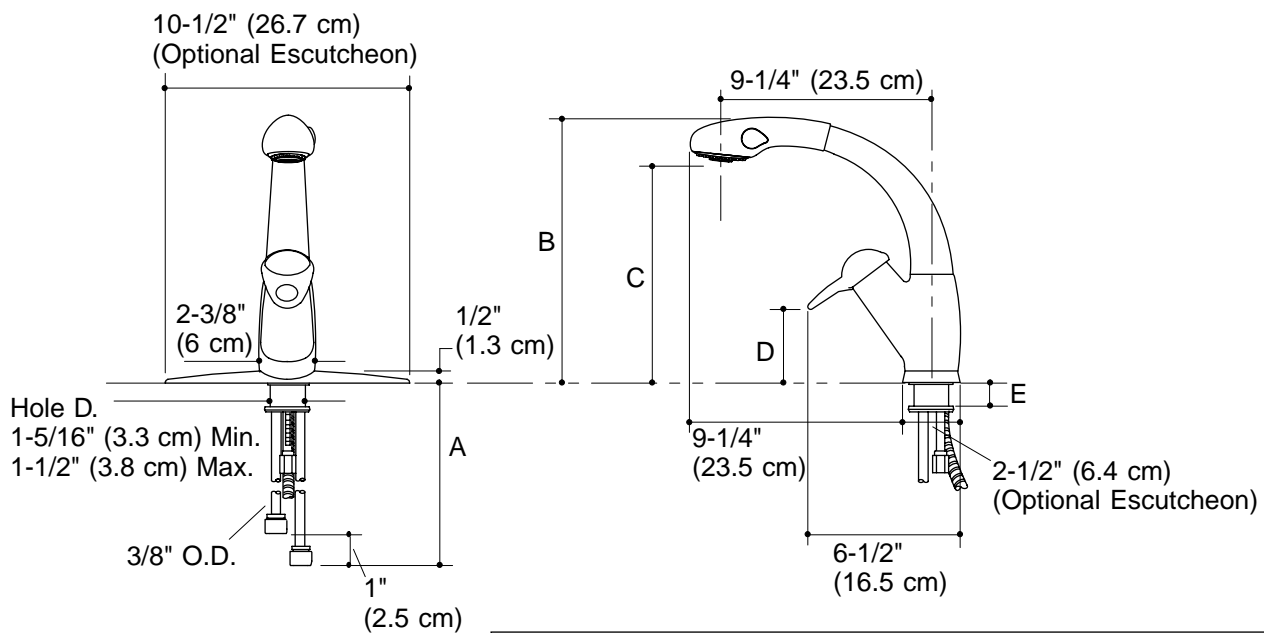
- CP: Polished Chrome
- PB: Polished Brass
- Other: Refer to Price Book for additional colors/finishes

**Specified Model:**

Model	Description		
K-6350	With Matching Color sprayhead	<input type="checkbox"/> CP	<input type="checkbox"/> Other ____
K-6350-AP	With Polished Chrome Body and White sprayhead	<input type="checkbox"/> CP	
K-6350-MP	With Polished Chrome Body and Almond sprayhead	<input type="checkbox"/> CP	
K-6350-BP	With Black sprayhead	<input type="checkbox"/> CP	<input type="checkbox"/> PB

**PRODUCT SPECIFICATION**

Single-control pull-out spray kitchen sink faucet shall be of brass construction. The valve shall be a one-piece, self-contained ceramic disc valve, and allows both volume and temperature control. The valve shall feature temperature memory, allowing the faucet to be turned on and off at any temperature setting, and includes a high-temperature limit stop. Product shall include 9-1/4" (23.5 cm) high-arc swing spout with integral sprayhead, retractable hose, integral vacuum breaker, 10-1/2" (26.7 cm) escutcheon for three-hole installations, and front lever handle. Faucet shall be Kohler Model K-6350-\_\_\_\_-\_\_\_\_.



Roughing-In Notes					
	A	B	C	D	E
With escutcheon	11-1/8" (28.3 cm)	11-5/8" (29.5 cm)	9-3/8" (23.8 cm)	3-1/8" (7.9 cm)	2-5/8" (6.7 cm)
Without escutcheon	11-5/8" (29.5 cm)	11-1/8" (28.3 cm)	8-7/8" (22.5 cm)	2-5/8" (6.7 cm)	3-1/8" (7.9 cm)

## Product Diagram