

**INDEPENDENT SIDESPRAY  
K-7344**

ADA

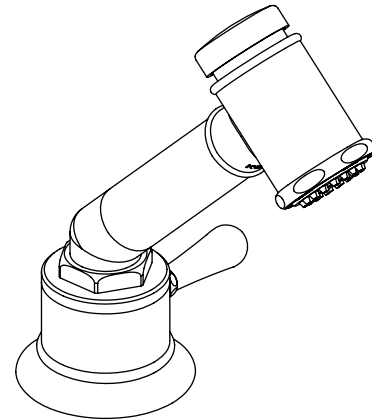
**Features**

- *Stainless steel construction*
- *90° progressive valve*
- *28" (71.1 cm) reach handspray hose*
- *Spray pause function*
- *ADA compliant lever handle*
- *2.2 gallons (8.3 L) per minute maximum flow rate*

**Codes/Standards Applicable**

Specified model meets or exceeds the following:

- *NSF 61*
- *ADA*
- *IAPMO/cUPC*
- *Energy Policy Act of 1992*
- *ASME A112.18.1/CSA B125.1*



**Colors/Finishes**

- BS: Brushed Stainless Steel
- S: Polished Stainless Steel

**Accessories:**

- BS: Brushed Stainless Steel
- S: Polished Stainless Steel

**Specified Model:**

Model	Description	Color/Finish	
K-7344-4	Independent sidespray with lever handle	<input type="checkbox"/> BS	<input type="checkbox"/> S
<b>Recommended Accessories</b>			
K-7346	HiRise soap/lotion dispenser	<input type="checkbox"/> BS	<input type="checkbox"/> S

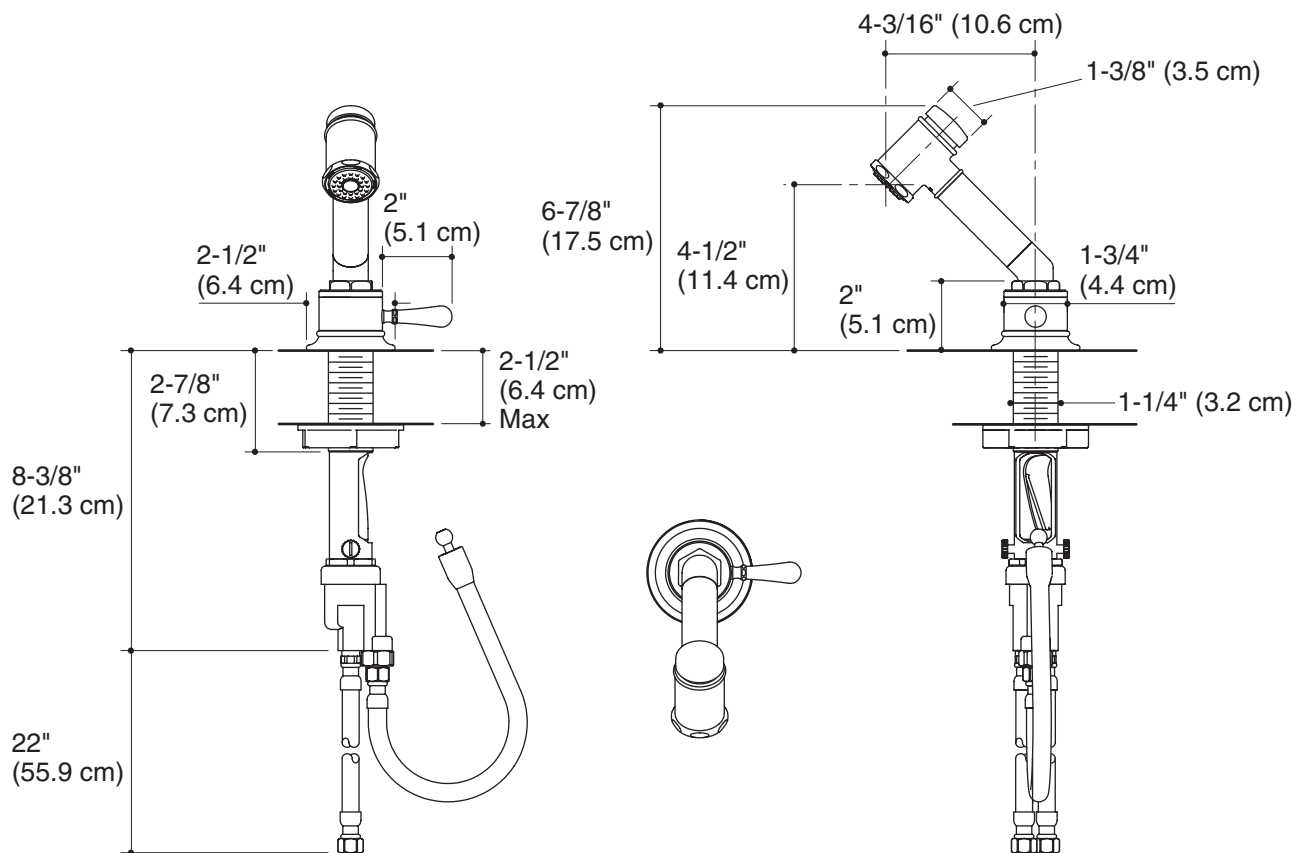
**PRODUCT SPECIFICATION**

The independent sidespray shall be of stainless steel construction. Sidespray shall feature an ADA compliant lever handle, spray pause function, and 90° progressive valve. Product shall have a flow rate of 2.2 gpm (8.3 lpm). Product shall include a 28" (71.1 cm) reach handspray hose. Product shall be Kohler Model K-7344-4-\_\_\_\_\_.

# HIRISE™

## Installation Notes

Install this product according to the installation guide.



Product Diagram