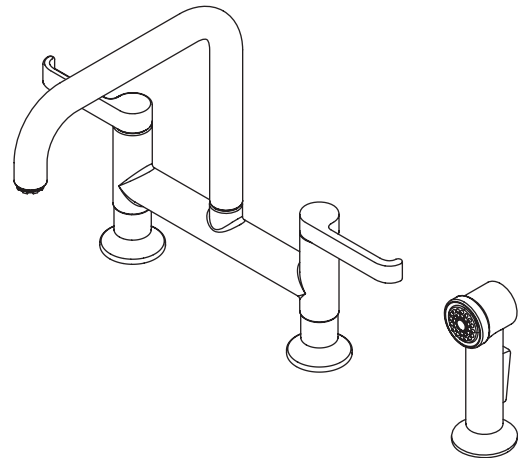


**KITCHEN SINK FAUCET
K-6125
ALSO K-6126**

ADA

Features

- Metal construction
- Two quarter-turn washerless ceramic disc valves
- 360° swing spout
- For 8" (20.3 cm) centers
- ADA compliant lever handles
- 2.2 gallons (8.3 L) per minute maximum flow rate
- Flexible connections for easy installation
- Lower flow aerator options are available (refer to the Kohler Price Book)
- Available with or without matching finish sidespray
- 8-5/16" (21.1 cm) spout reach
- Contemporary styling



Codes/Standards Applicable

Specified model meets or exceeds the following:

- ADA
- IAPMO/cUPC
- ASME A112.18.1/CSA B125.1
- ASSE 1014
- NSF 61
- Energy Policy Act of 1992

Colors/Finishes

- CP: Polished Chrome
- Other: Refer to Price Book for additional colors/finishes

Specified Model:

Model	Description	Colors/Finishes	
		<input type="checkbox"/> CP	<input type="checkbox"/> Other ____
K-6125-4	Kitchen sink faucet without sidespray – two lever handles	<input type="checkbox"/> CP	<input type="checkbox"/> Other ____
K-6126-4	Kitchen sink faucet with matching finish sidespray – two lever handles (shown)	<input type="checkbox"/> CP	<input type="checkbox"/> Other ____

Product Specification

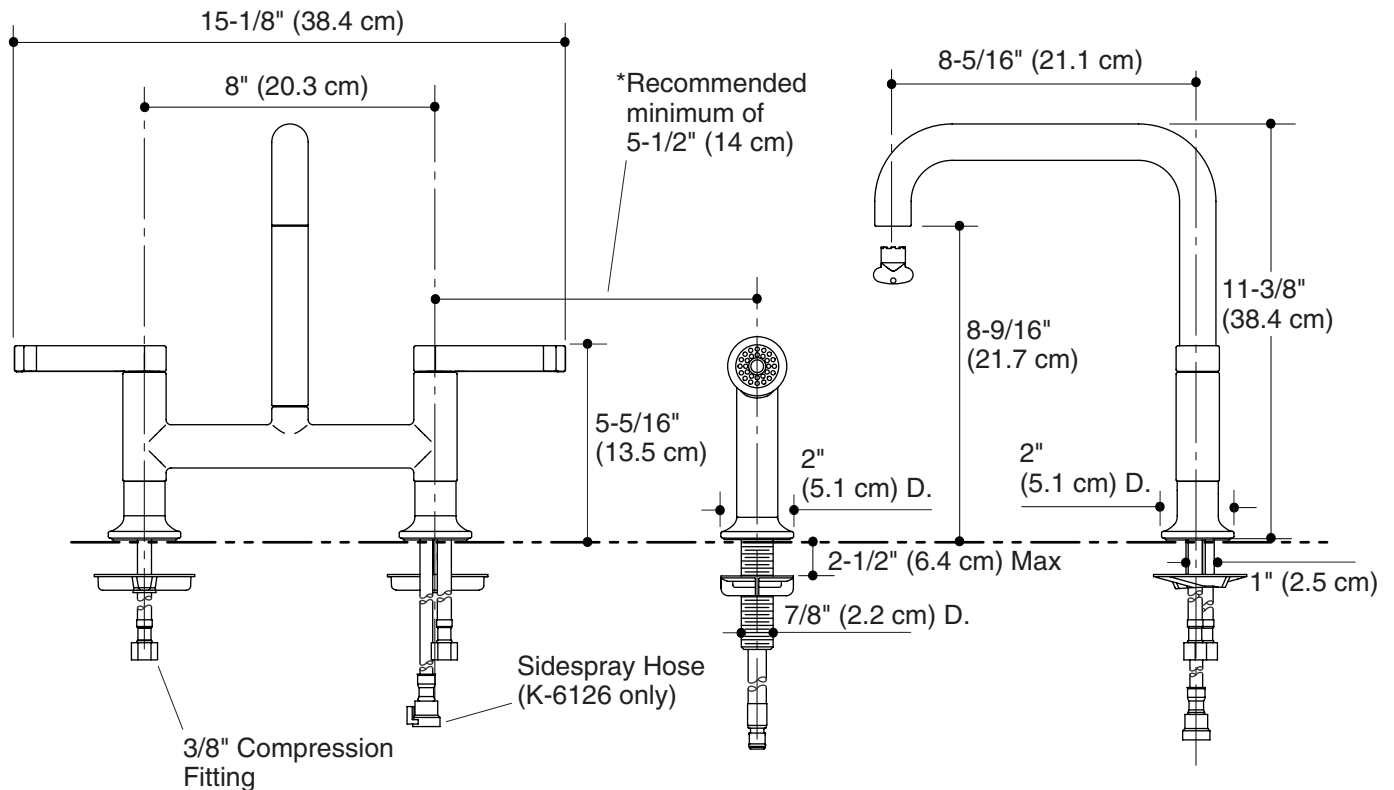
The two-handle kitchen sink faucet with contemporary styling shall be constructed of metal. Faucet shall feature two quarter-turn washerless ceramic disc valves, assuring positive handle stop positioning. Faucet shall have feature an 8-5/16" (21.1 cm) spout reach, 360° swing spout, flexible connections for easy installation, and ADA compliant lever handles. Faucet shall be for 8" (20.3 cm) centers. Faucet shall have a flow rate of 2.2 gpm (8.3 lpm) with lower flow aerator options available (see Kohler Price Book). Faucet shall be available with or without matching finish sidespray. Faucet shall be Kohler Model K-____-4-_____.

Installation Notes

Install this product according to the installation guide.

Faucet K-6126-4 is supplied with extended levers to provide added functionality and ease of operation. This necessitates that the drilling for the sidespray should be no closer to the faucet than 5-1/2" (14 cm).

If this faucet is being installed on a four-hole or five-hole cast iron sink (with 4" (10.2 cm) on center drilling), a compact handle kit (part number 1082534) is available to support this installation. Contact Kohler for more information.



Product Diagram